



5599 Highway 31 West
Portland, TN 37148
(615)325-2774

PHTT-4

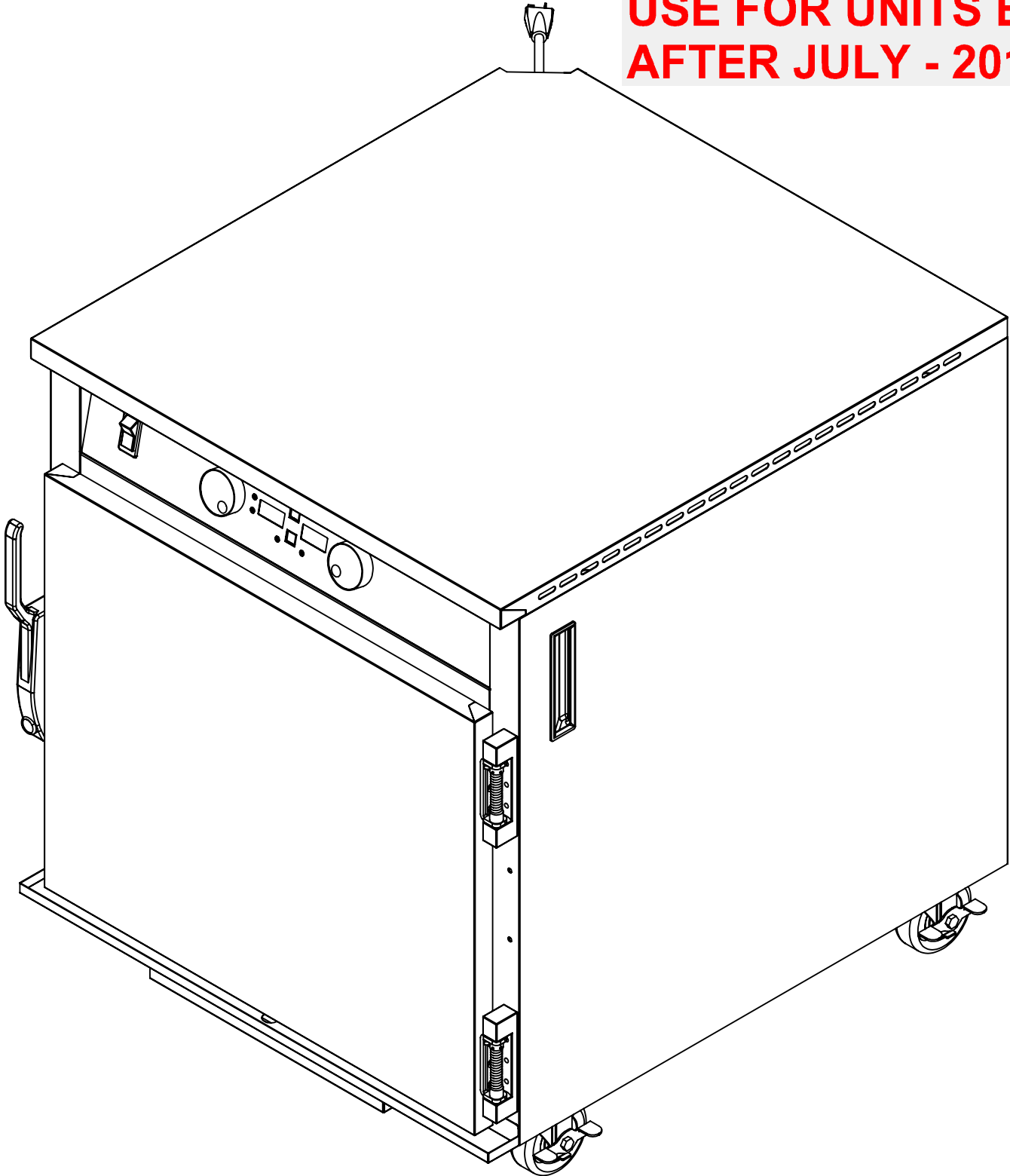
Pg.1TITLE PAGE

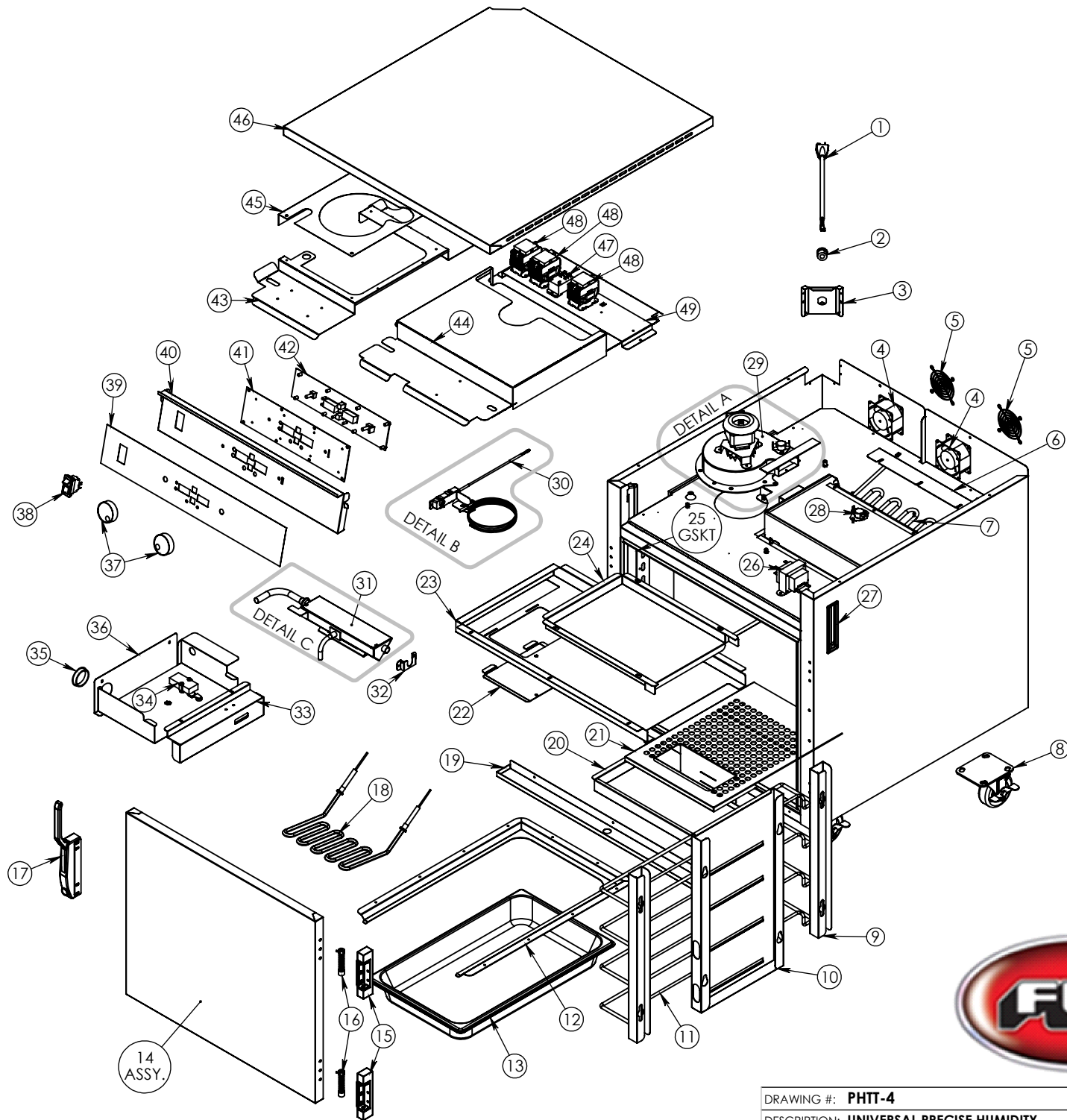
Pg.3DETAIL PAGE

Pg.2PHTT-4

Pg.4PHTT-4 BOM

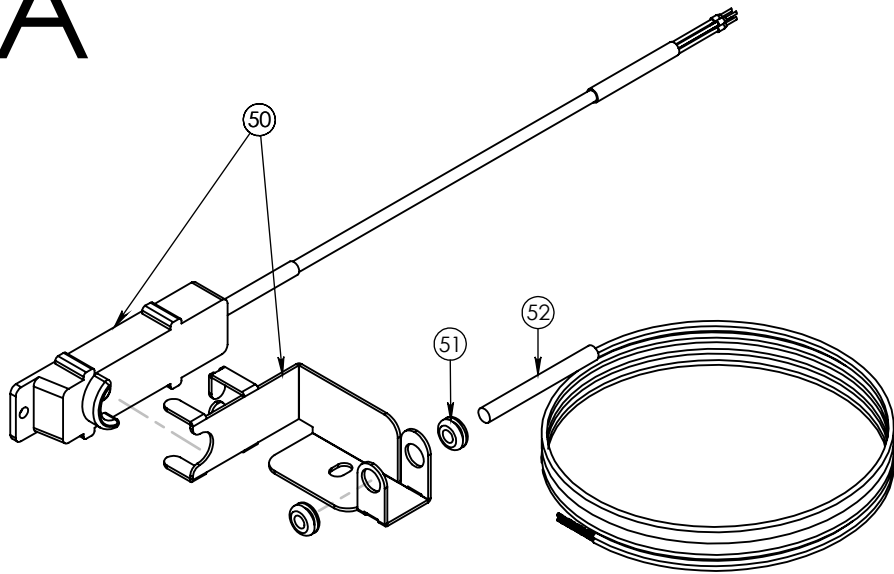
**USE FOR UNITS BUILT
AFTER JULY - 2019**



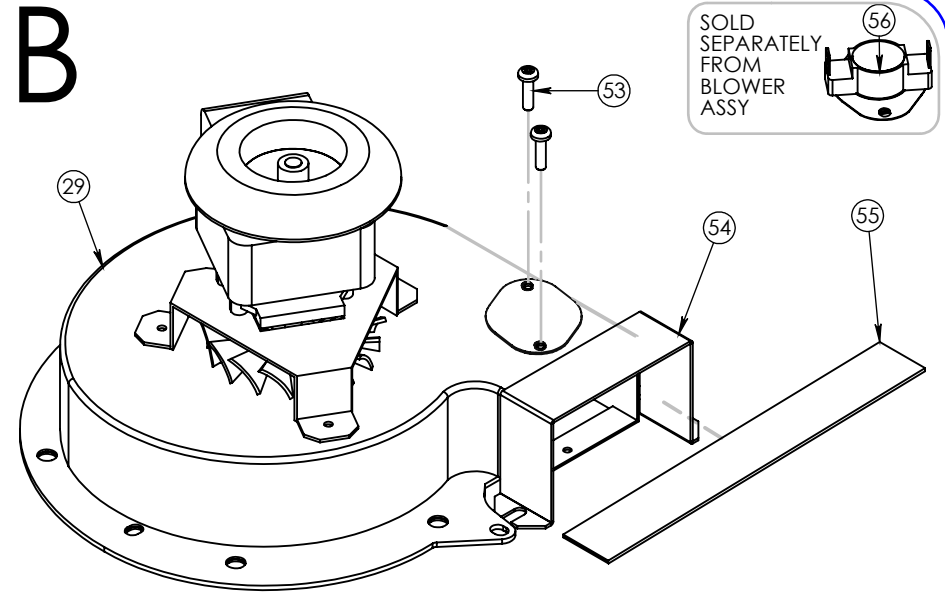


DRAWING #: PHTT-4	
DESCRIPTION: UNIVERSAL PRECISE HUMIDITY	
DRAWN BY: A. LINCOLN	LAST SAVED BY: andrew82

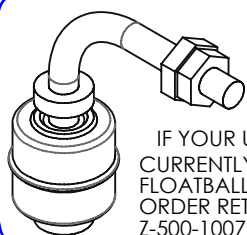
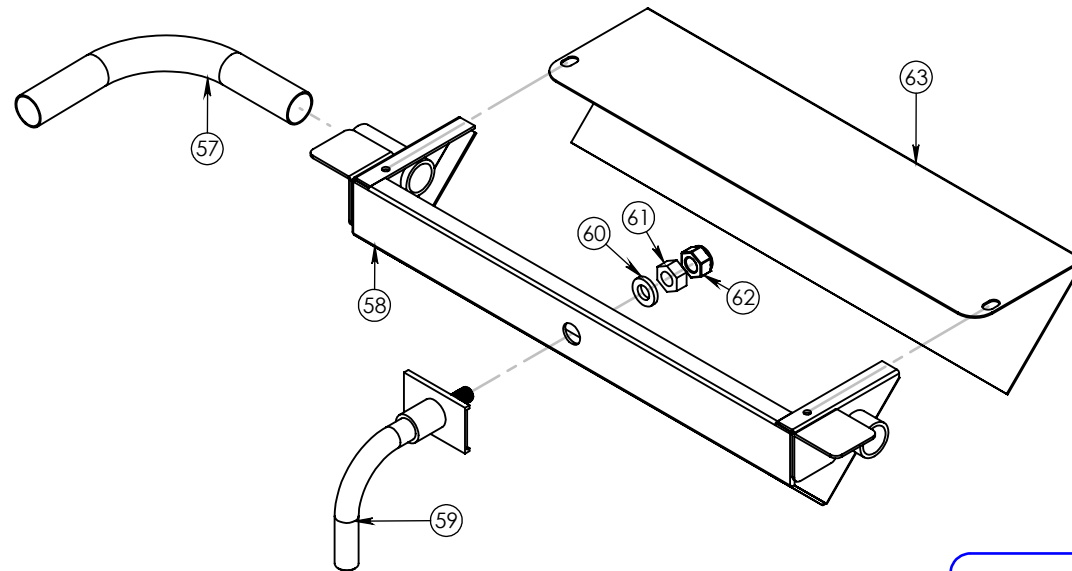
A



B



C



IF YOUR UNIT CURRENTLY HAS A FLOATBALL, PLEASE ORDER RETROFIT KIT Z-500-1007(64)



DRAWING #: **PHTT-4**

DESCRIPTION: **UNIVERSAL PRECISE HUMIDITY**

DRAWN BY: A. LINCOLN

LAST SAVED BY: andrew82

ITEM NO.	QTY.	PART NO.	DESCRIPTION				
1	1	CRDSET20-115	CORD 12' 115 VOLT 5-20P 12GA 3 WIRE	33	1	68518	PHTT SAFETY SWITCH MOUNT BRKT
2	1	BSH STRN 4	STRAIN RELIEF FOR 20 AMP CORD	34	1	SWH LIMIT	COMPACT LIMIT SWITCH
3	1	53518	PHTT CORD BRKT 3 POS CORD	35	1	PLG 1 3-4	PLUG HOLE 1-3/4" HOLE, BLK
4	2	FAN PHTT 115	115V FAN,80 X 80 X 38MM	36	1	54955	PHTT SIDE ACCESS PANEL
5	2	GRD FAN	FAN GUARD	37	2	KNB PHTT	KNOB, DIMPLE TURN
6	1	54611	SINGLE ELEMENT MOUNTING PLATE	38	1	SWH RCK E1	SWITCH NON-LT ROCKER 125/250V 20AMP
7	1	EL2000-120-HT SCREW LUG	ELEMENT 2000 WATT 120 VOLT	39	1	CNTRL PNL PHT	OVERLAY FOR CLYMATE IQ (PHTT)
8	4	CSTR 3.5 SB-5	CASTER 3.5" SWIVEL BRAKE HEAVY DUTY	40	1	58061	PHTT-4 CONTROL PANEL TILTED UP
9	4	53445	PHTT-4 UPRIGHT	41	1	80030	CNTRL PANEL PRECISE HUMITEMP
10	1	53441	PHTT-4 SIDE TUNNEL	42	1	CNTRL BRD-PHTT STD	CONTROL BOARD FOR STANDARD PHTT
11	8	SLD-UHS245-SS	TRAY SLIDE STAINLESS STEEL UHS	43	1	53211	PHTT BLOWER INSUL COVER
12	1	54241	PHTT WATER PAN SLIDE BRKT	44	1	54706	PHTT TOP ELEM HOUSING INSUL HOLDER
13	1	PAN 12X20X2.5	FULL SIZE SS PAN, 2-1/2" DEEP	45	1	54707	TOP BLOWER ACCESS PLATE
14	1	Z-301-5502 (INCLUDE PART 15-17)	PHTT-4 DOOR ASSY SC-EDG/MAG RH-FR	46	1	25915	PHTT OUTSIDE TOP 3 POS CORD
15	2	HNG 1216	HINGE NON-RISE ADJ 1-1/8 OFFSET	47	1	RLY 30AMP DPDT	30AMP PANEL MOUNT RELAY,2 POLE 120V
16	2	HNG 1216 SPRING KIT	SPRING KIT FOR 1216 HINGE	48	3	CONTACT-2 POLE-120V-40AMP	CONTACTOR RELAY 2-POLE 120V 40A
17	1	LTH MAG OFFSET HNDL	CHROME MAGNETIC LATCH,OFFSET HANDLE	49	1	57636	PHTT COMPONENTS MOUNTING BRKT
18	1	EL2000-120PHTT-2.5	ELEMENT 2000W 120V FOR 2.5" PAN	50	1	Z-600-3850	PHTT SENSOR NO T PROBE
19	1	66113	PHTT- DRIP TROUGH PRSS GSKT	51	2	GRMT-HT-3-16	SILCONE GROMMET 3/16ID X 7/16OD
20	1	54327	PHTT DRIP PAN	52	1	THERMISTOR-PROBE	THERMISTOR PROBE NTC
21	1	53497	PHTT-4 WATER PAN COVER	53	2	S8-32X10 CTS	SCRW 8-32x5/8 PH CUT 410
22	1	57659	PHTT BAFFLE ACCESS PLATE	54	1	59672	BAY BLOWER END SEAL CAP
23	1	67771	PHTT-4 BLOWER RETURN BAFFLE	55	1	GSKT 1MCS	GSKT 1MCS @ 7"
24	1	59727	PHTT BTM HEAT COVER LARGE	56	1	SNAP DISC 150-130	COOL DOWN SNAP DISC F150 OPEN RISE
25	1	GASKET(SEE BOTTOM FOR DETAILS)	(SEE BOTTOM FOR DETAILS)	57	1	SLV-ACRYLIC-WHITE-7-16 @ 7"	SLEEVING ACRYLIC 7/16 ID WHITE FA1
*25A	1	GSKT MAG2520	GSKT MGNTIC 25.25"X 20.875"	58	1	56464	PHTT ELEMMENT HOUSING
*25B	1	GSKT-D-24X20-125	SILICONE DOOR GASKET D 24.00X20.125	59	1	COND PROBE AT	CONDUCTIVE PROBE 2.125" ANTI-TWIST
26	1	TRNS-240-120-40VA	TRANSFORMER 240V-120V 40 VA	60	1	W1-4SLSS	WASHER 1/4 MED.SPLIT LK SS
27	2	PL FLSH BLK ABS	PULL BLACK ABS 5.01	61	1	N1-4-20HXS	1/4-20 HX NUT, SS
28	1	SNAP DISC 210-250	HI-LIMIT SWITCH NC	62	1	N1-4-20 NEUN	NUT 1/4-20SS SELF LOCKING
29	1	Z-500-1009 (INCLUDE PART 53-55)	REVCOR-BAY MOTOR RET KIT SI-KFC0010	63	1	53358	PHTT ELEMENT MOUNTING COVER
30	1	Z-800-2042 (INCLUDE PART 50-52)	PHTT SENSOR MOUNT PLATE ASSY	64	1	Z-500-1007 (INCLUDE PART 59-62)	FLOATBALL ELECT RET KIT SI-PHTT0001
31	1	Z-800-2111 (INCLUDE PART 57-62)	PHTT-4 ELEM HOUSING W/COND PRB				
32	2	53690	PHTT BOTTOM HEAT PIVOT CAP				

*UNITS WITH A SERIAL NUMBER MATCHING OR PRECEDING 144032701 WILL RECEIVE 25(A) ALL SERIAL NUMBERS PROCEEDING 144032701 WILL RECEIVE 25(B)

IF YOU ARE UNABLE TO ACQUIRE A SERIAL NUMBER PLEASE CONTACT US FOR FURTHER ASSISTANCE IN IDENTIFYING AND PURCHASING A REPLACEMENT GASKET OR ANY OTHER QUESTIONS YOU MAY HAVE.
PHONE: (800)-222-4393



DRAWING #: **PHTT-4**

DESCRIPTION: **UNIVERSAL PRECISE HUMIDITY**

DRAWN BY: A. LINCOLN

LAST SAVED BY: andrew82