



5599 Highway 31 West  
Portland, TN 37148  
(615)325-2774

# PHTT-6P-KFC

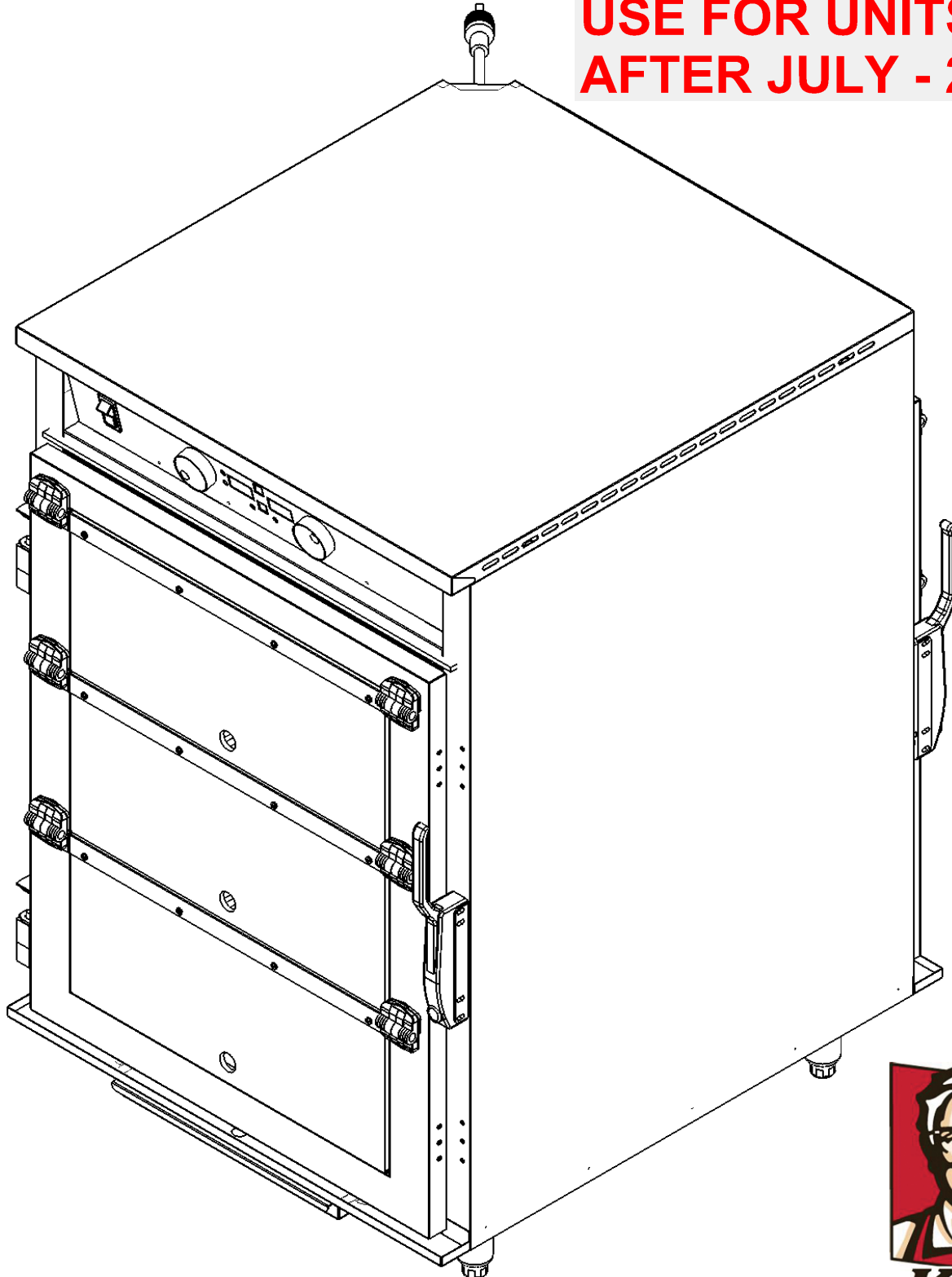
Pg.1 .....TITLE PAGE

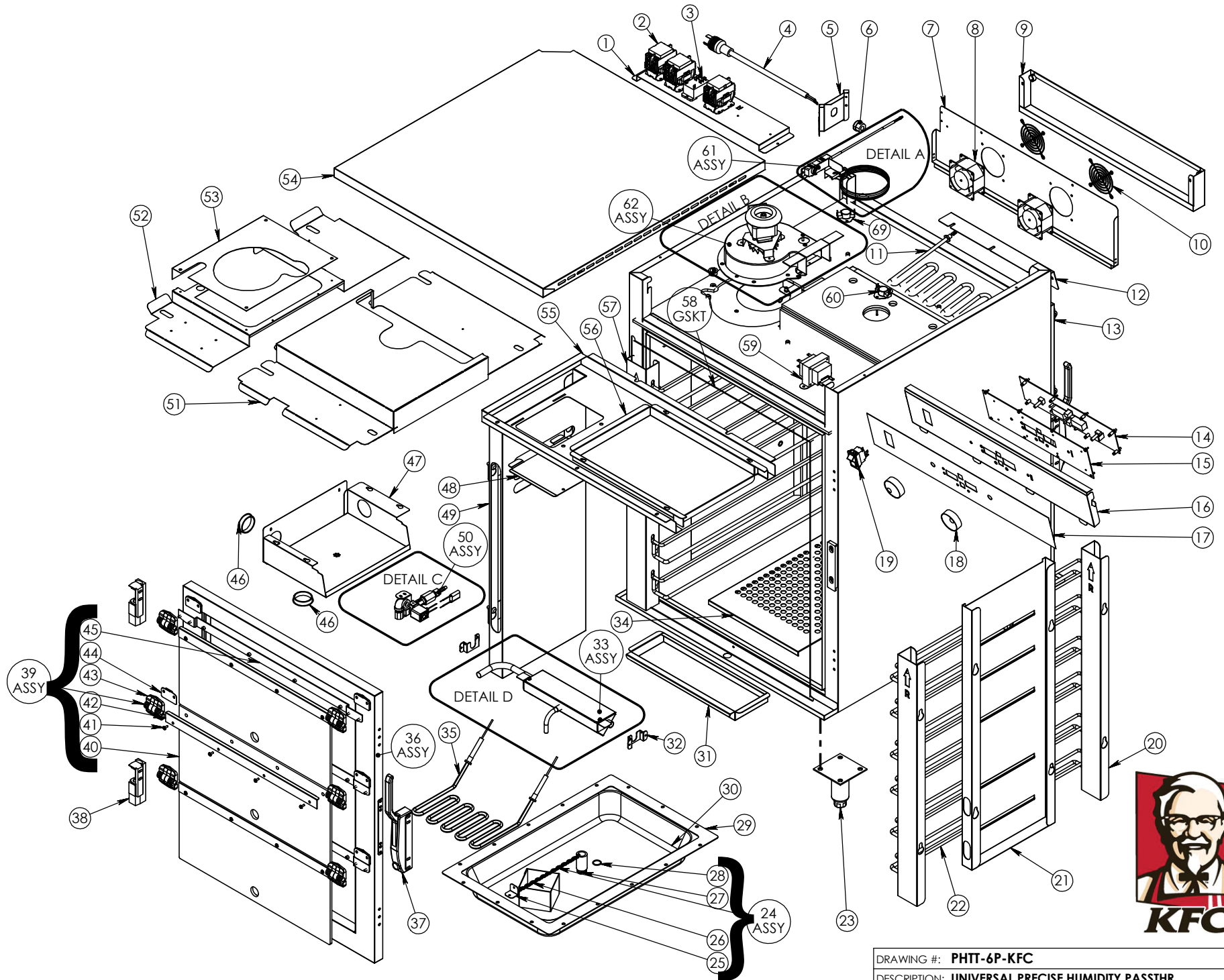
Pg.3 .....DETAIL PAGE

Pg.2 .....PHTT-6P-KFC

Pg.4 .....PHTT-6P-KFC BOM

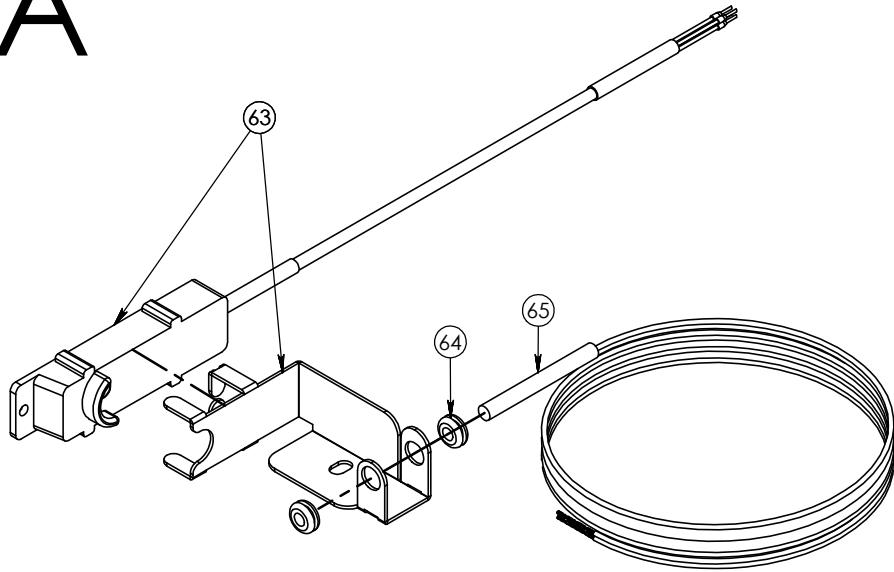
**USE FOR UNITS BUILT  
AFTER JULY - 2019**



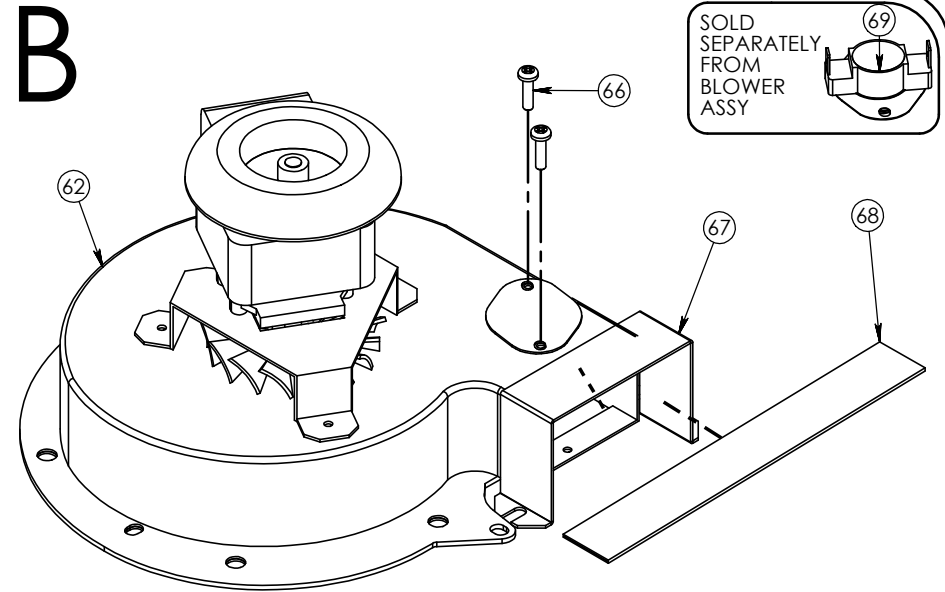


DRAWING #: **PHTT-6P-KFC**  
 DESCRIPTION: **UNIVERSAL PRECISE HUMIDITY PASSTHR**  
 DRAWN BY: A. LINCOLN    LAST SAVED BY: andrew82

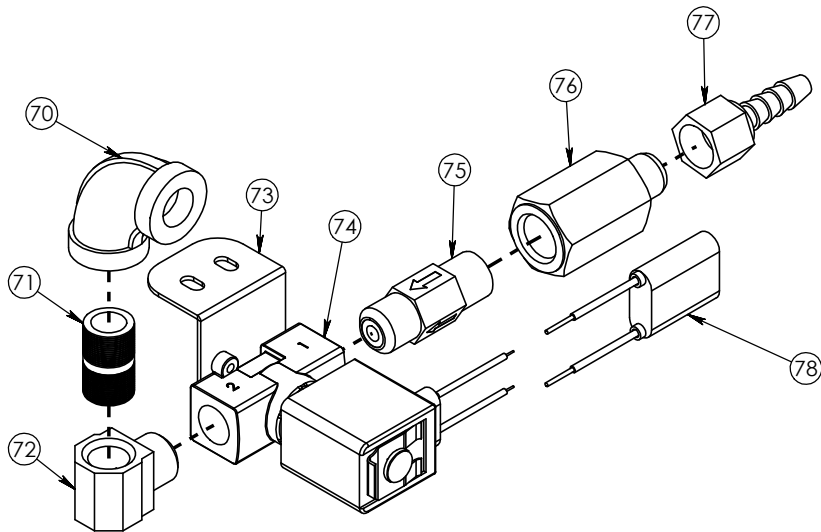
# A



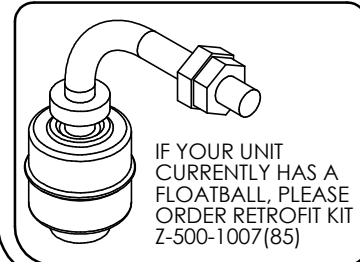
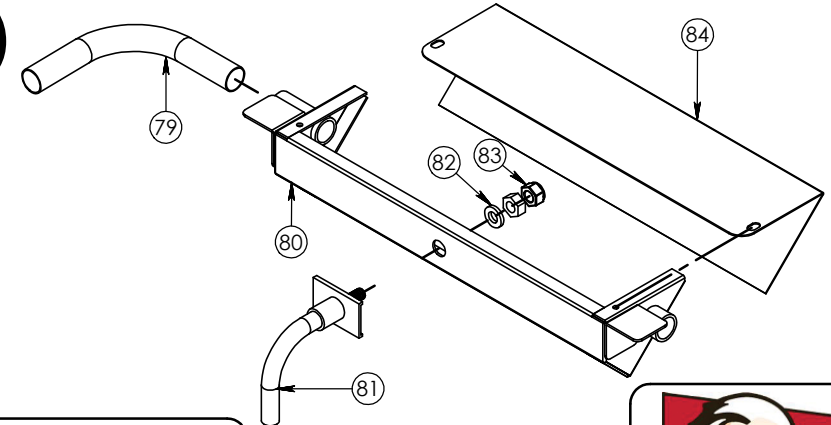
# B



# C



# D



DRAWING #: **PHTT-6P-KFC**  
 DESCRIPTION: **UNIVERSAL PRECISE HUMIDITY PASSTHR**  
 DRAWN BY: A. LINCOLN LAST SAVED BY: andrew82

ITEM NO.	QTY.	PART NO.	DESCRIPTION
1	1	57636	PHTT COMPONENTS MOUNTING BRKT
2	3	CONTACT-2 POLE-120V-40AMP	CONTACTOR RELAY 2-POLE 120V 40A
3	1	RLY 30AMP DPDT	30AMP PANEL MOUNT RELAY,2 POLE 120V
4	1	CRDSET20-115 TWIST LOCK	CORD 12' 115 VOLT L5-20P 12/3
5	1	53518	CORD BRKT 3 POS CORD
6	1	BSH STRN 4	STRAIN RELIEF FOR 20 AMP CORD
7	1	66240	PHTT-P REAR FAN MOUNT PNL PRS GKT
8	2	FAN PHTT 115	115V FAN,80 X 80 X 38MM
9	1	53856	PHTT-P REAR COOLING FAN COVER
10	2	GRD FAN	FAN GUARD
11	1	EL2000-120-HT SCREW LUG	ELEMENT 2000 WATT 120 VOLT
12	2	54611	SINGLE ELEMENT MOUNTING PLATE
13	1	Z-301-2781 (INCLUDES PARTS 37-45)	3 FLP-UP LXN SC-LO/MAG RH-FR
14	1	CNTRL BRD-PHTT	CONTROL BOARD FOR PHTT
15	1	80030	CNTRL PANEL PRECISE HUMITEMP
16	1	57547	PHTT-KFC CONTROL PANEL
17	1	CNTRL PNL PHT	OVERLAY FOR CLYMATE IQ (PHTT)
18	2	KNB PHTT	KNOB, DIMPLE TURN
19	1	SWH RCK E1	SWITCH NON-LT ROCKER 125/250V 20AMP
20	2	55267	PHTT-6-KFC UPRIGHT 3 FLIP DR RIGHT
21	1	69043	PHTT-6 SUPPLY TUNNEL
22	12	SLD-PHTT245-SS	TRAY SLIDES PHTT245 SS ELECTRO-POLI
23	4	LEG SS4	4 STAINLESS STEEL LEGS W/PLATE
24	1	Z-600-3979 (INCLUDE PART 25-28)	MACHINED PPS PIPE ASSY
25	1	55536	PHTT PIPE CLAMP BRKT
26	1	01119	SINGLE JACK CHAIN 8"-9" 13 LINKS
27	1	PIPE-DRAIN (MUST ORDER #28)	PIPE STAND 1"DIA X 2" L - PPS
28	1	O-RING-OR018	O-RING 3/4"ID X 1/16" THK SILICONE
29	1	GSKT PHTT	SILICONE SPONGE 1/16" D/C W/PSA
30	1	Z-600-2636	WATER PAN ASY AUTO FILL BOC
31	2	56331	PHTT-KFC DRIP PAN
32	2	53690	PHTT-6 BOTTOM HEAT PIVOT CAP
33	1	Z-800-2108 (INCLUDES PARTS 79-84)	PHTT-CONDUCTIVE PROBE HOUSING ASSY
34	1	55389	PHTT KFC WATER PAN COVER
35	1	EL2000W-120V-PHTT-2.5	ELEMENT 2000W 120V FOR 2.5" PAN
36	1	Z-301-2886 (INCLUDES PARTS 37-45)	PHTT-6 3 FLP-UP LXN SC-LO/MAG LH-FR
37	2	LTH MAG OFFSET HNDL	CHROME MAGNETIC LATCH,OFFSET HANDLE
38	4	HNG-LIFT-OFF-215	OHTT-CONDUCTIVE PROBE HOUSING ASSY
39	6	Z-600-2998 (INCLUDES PART 40-45)	PHTT-6 KFC LEXAN ASSY W/ 1" HOLE
40	6	70097	PHTT-6 KFC LEXAN PC DOOR 1 IN HOLE
41	24	S8-32X375 PH	8-32X3/8 PAN HEAD PHILLIPS MS,18-8
42	6	56110	PHTT-6 KFC LEXAN DOOR FRONT PLATE
43	12	HNG SET ANGLE SS	SET ANGLE POSITION HINGE 150 DEG SS
44	12	59679	HNG SET ANGLE SPRING CAP
45	6	56109	PHTT-6 KFC LEXAN DOOR HINGE PLATE
46	2	PLG 1 3-4	PLUG HOLE 1-3/4" HOLE, BLK
47	1	57543	PHTT-6 KFC ELECTRICAL BOX COVER
48	1	57659	PHTT BAFFLE ACCESS PLATE
49	1	69745	PHTT-6P-KFC RETURN TUNNEL
50	1	Z-600-3347 (INCLUDES PARTS 70-78)	PHTT WATER AUTO FILL ASSY
51	1	54706	PHTT TOP ELEM HOUSING INSUL HOLDER
52	1	53211	BLOWER INSUL COVER

53	1	54707	TOP BLOWER ACCESS PLATE
54	1	23485	PHTT-KFC OUTSIDE TOP 3 POS CORD
55	1	67771	BLOWER RETURN BAFFLE
56	1	59727	KFC BTM HEAT COVER LARGE
57	2	55266	PHTT-6-KFC UPRIGHT 3 FLIP DR LEFT
58	1	GSKT (SEE BOTTOM FOR DETAILS)	(SEE BOTTOM FOR DETAILS)
58A	1	GSKT MAG2531	GSKT MAG 25.250 X 30.500
58B	1	GSKT-D-24X29-875	SILICONE DOOR GASKET D 24.00X29.875
59	1	TRNS-240-120-40VA	TRANSFORMER 240V-120V 40 VA
60	1	SNAP DISC 210-250	HI-LIMIT SWITCH NC
61	1	Z-800-2042 (INCLUDE PART 63-65)	PHTT- SENSOR MOUNT PLATE ASSY
62	1	Z-500-1009 (INCLUDE PART 66-68)	BLWR-120-60
63	1	Z-600-3850	PHTT SENSOR NOT PROBE
64	2	GRMT-HT-3-16	SILCONE GROMMET 3/16ID X 7/16OD
65	1	THERMISTOR-PROBE	THERMISTOR PROBE NTC
66	2	S8-32X10 CTS	SCRW 8-32x5/8 PH CUT 410
67	1	59672	BAY BLOWER END SEAL CAP
68	1	GSKT 1MCS	GSKT 1MCS @ 7"
69	1	SNAP DISC 150-130	COOL DOWN SNAP DISC F150 OPEN RISE
70	1	ELB-90-SS-TBE-1-4	ELBOW S/S 1/4" PIPE-90 DEGREE-TBE
71	1	PIPE-NIPPLE-BRS-250	BRASS PIPE NIPPLE,1/4" NPT,FULL THR
72	1	ELB-250-BRS	ELBOW BRASS,1/4"NPT MALE-FEMALE
73	1	57628	PHTT AUTO FILL MOUNTING BRKT
74	1	VLV SLND 2-WAY PHTT 120V	2 WAY WATER SOLENOID VALVE, 120V
75	1	FILTER-PIPE	FILTER, IN LINE PIPE STYLE 1/4" NPT
76	1	VLV BALL 250	MINI CHROME BALL VALVE 1/4" NPT
77	1	ADPTR BRASS FEMALE 1-4	ADAPTER 1/4 BARB X 1/4 FIP, BRASS
78	1	CNTRL SURGE SUPPRESSOR	SURGE SUPPRESSOR,TEMP CONTROLLER
79	1	SLV-ACRYLIC-WHITE-7-16 @ 12"	SLEEVING ACRYLIC 7/16 ID WHITE FAI
80	1	56464	PHTT ELEMENT HOUSING
81	1	COND PROBE AT	CONDUCTIVE PROBE 2.125" ANTI-TWIST
82	1	W1-4SLSS	WASHER 1/4 MED.SPLIT LK SS
83	1	N1-4-20HXS	1/4-20 HX NUT, SS
84	1	53358	ELEMENT MOUNTING COVER
85	1	Z-500-1007 (INCLUDES PARTS 81-83)	FLOAT BALL CONVERT SI-KFC0004

\*UNITS WITH A SERIAL NUMBER MATCHING OR PRECEDING 133706501 WILL RECEIVE 58(A) ALL SERIAL NUMBERS PROCEEDING 133706501 WILL RECEIVE 58(B)

IF YOU ARE UNABLE TO ACQUIRE A SERIAL NUMBER PLEASE CONTACT US FOR FURTHER ASSISTANCE IN IDENTIFYING AND PURCHASING A REPLACEMENT GASKET OR ANY OTHER QUESTIONS YOU MAY HAVE.  
PHONE: (800)-222-4393



DRAWING #:	<b>PHTT-6P-KFC</b>
DESCRIPTION:	<b>UNIVERSAL PRECISE HUMIDITY PASSTHR</b>
DRAWN BY: A. LINCOLN	LAST SAVED BY: andrew82