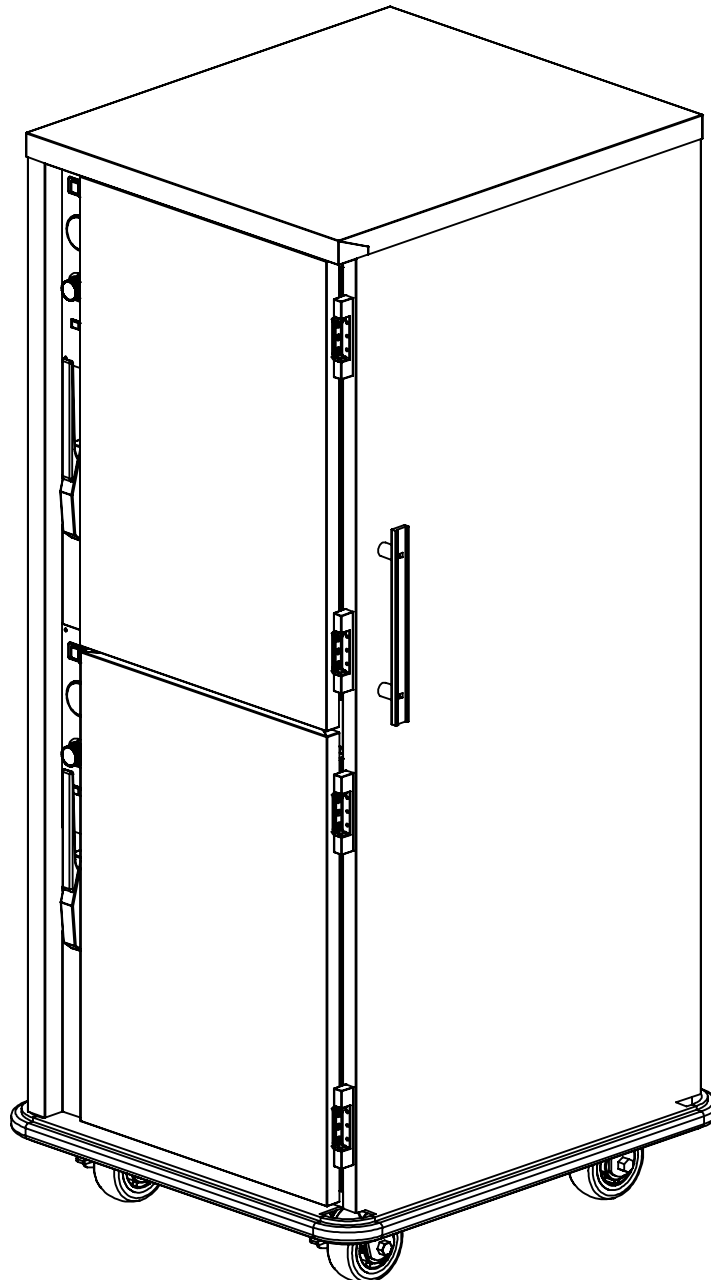


**MODEL:**

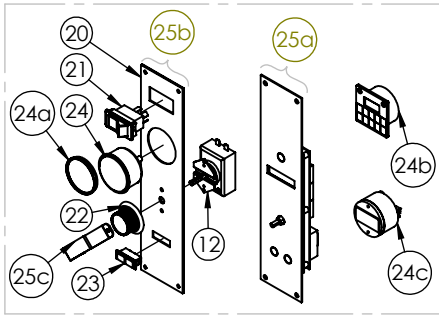
**TS-1826-7/7**

**Parts Manual**

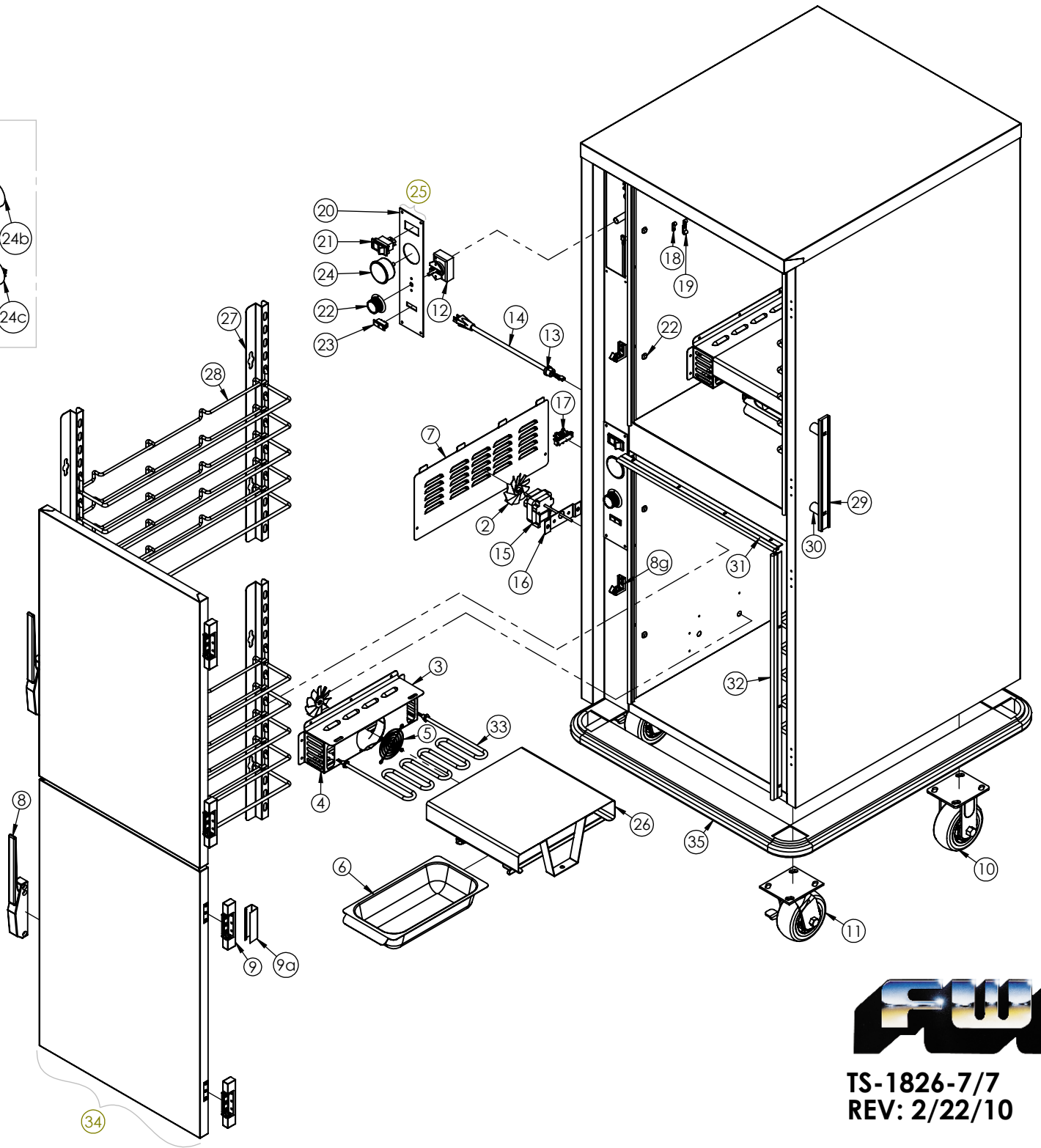
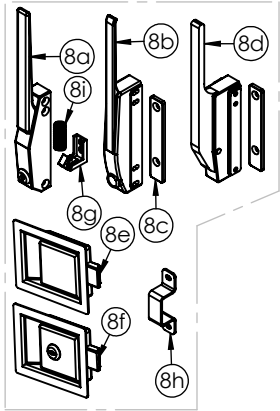


REV: 2/22/10

**CONTROL PANEL OPTIONS**



**LATCH OPTIONS**



**TS-1826-7/7**  
**REV: 2/22/10**

<b>TS-1826-7/7 PARTS LIST</b>					
<b>**NOTE: CALL MANUFACTURER IF PART IS NOT LISTED**</b>				<b>*ELEMENT AND CORD OPTIONS FOR TS-1826-7/7</b>	
<b>ITEM NO.</b>	<b>QTY.</b>	<b>PART NO.</b>	<b>DESCRIPTION</b>	<b>120V ELEMENT-EL1250-120-HT</b>	<b>120V CORD 15A-CRDSET10/115</b>
1	16	B1/4-20X12CS	BOLT CARG 1/4-20X.7518-8S	<b>120V UPGRADE-EL1500-120-HT</b>	<b>120V CORD 15A-CRDSET10/115</b>
2	4	BLD FAN AL	BLADE FAN AL 3IN 1875-0		
3	2	4041	HUMITEMP BLOWER LID	<b>220V ELEMENT-EL1250-220-HT</b>	<b>220V CORD 15A-CRDSET10/220</b>
4	2	4011	HUMITEMP BLOWER HOUSING	<b>220V UPGRADE-EL1500-220-HT</b>	<b>220V CORD 15A-CRDSET10/220</b>
5	2	GRD FAN	GUARD FAN HUMI-TEMP UNITS		
6	2	WATER-PAN-3RD-WHDL	Water-Pan-3rd-WHDL		
7	2	53454	HUMITEMP LOUVER PANEL W/TABS		
8	2	LTH-DR	EDGEMOUNTED DOOR LATCH/CHROME (STANDARD) INCLUDES ITEM 8g		
8a	2	LTH-DR LK	EDGEMOUNTED DOOR LATCH/CHROME WITH LOCK (OPTION) INCLUDES 8g		
8b	2	LTH MAG	MAGNETIC CHROME LATCH (OPTION) INCLUDES 8c		
8c	2	LTH-DR-MAG-RH-STRIKE	LATCH OFFSET COMPOSITE, BLACK STRIKE		
8d	2	LTH DR MAG-RH	MAGNETIC LATCH OFFSET COMPOSITE, BLACK (OPTION) INCLUDES 8c	*OTHER DOOR OPTIONS AVAILABLE -	
8e	2	LTH PDL-STD 50	PADDLE LATCH 4.000 X 5.000 1/2IN STD (OPTION)	CALL FACTORY FOR IDENTIFICATION	
8f	2	LTH PDL LK-STD 50	PADDLE LARGE SS WL 30250 (OPTION)		
8g	2	STK LTH 1	STRIKE USED FOR EDGEMOUNTED DOOR LATCH		
8h	2	5160	STRIKE USED FOR LOCKING AND NON-LOCKING PADDLE LATCHES		
8i	2	LTH DR SPG	SPRING USED FOR EDGEMOUNT LATCH		
9	4	HNG-214	HINGE CAB DR CRM .875		
9a	4	HNG 214 COVER	HINGE COVER (OPTION)		
10	2	CSTR 5 R-2	CASTER HEAVY DUTY STANDARD 5" RIGID		
11	2	CSTR 5 SB-2	CASTER HEAVY DUTY STANDARD 5" SWIVL		
12	2	T-STAT H1	THERMOSTAT CAB 90-190 36IN		
13	1	BSH STRN 3	STRAIN-RELIEF BLK 6N3-4		
14*	1	CRDSET-10/115	CORDSET 10FEET 115V (STANDARD)- REF ELEMENT AND CORD OPTIONS		
15	2	MTR JK120 92	MOTOR, 120V (VERIFY VOLTAGE)		
15a	2	MTR JK 220 93	MOTOR, 220V (VERIFY VOLTAGE)		
16	2	4009	MOTOR MOUNT BRACKET		
17	2	TRM 3QC	TERMINAL BLOCK 3 QC TERM		
18	4	CLP-AL1-4	CLAMP ALUMINUM .250 WIDE		
19	2	CLP-AL3-8	CLAMP ALUMINUM .375 WIDE		
20	2	CNTRL-PNL-HUMI-TEMP-AL	HUMITEMP CONTROL PANEL BLANK X 2		
21	2	SWH RCK E1	ROCKING SWITCH NON-LT 20A,125V		
22	2	KNB H6	KNOB CONTROL ALUMINUM SKIRT SILVER		
23	2	LT-PLT-A/G	LIGHT AMBER/GREEN 125V		
24	2	T-METER H1	THERMOMETER 100/220F (STANDARD)		
24a	2	T-METER-LENS-COVER	THERMOMETER 100/400 LENS (OPTION)		
24b	2	T-MTR-DIG-40F-300F	SOLAR POWER DIGITAL THERMOMETER (OPTION)		
24c	2	T-MTR DIG F	DIGITAL THERMOMETER (OPTION)		
25	2	Z-600-1014	HUMITEMP CONTROL ASSY. INCLUDES ITEMS 20,21,22,23,24 (STANDARD)		
25a	2	CNTRL HUMI-TEMP	DIGITAL HUMI-TEMP CNTRL (OPTION)		
25b	2	Z-600-1460	HUMITEMP CONTROL ASSY. INCLUDES ITEMS 20,21,22,23,24,25c (OPTION)		
25c	2	5561	THERMOSTAT RETENTION STRAP HDM		
26	2	5190	HUMITEMP TUNNEL 12		
27	8	50570	TS-1826-7/7 UPRIGHT		
28	20	SLD UHS 245	245 TRAY SLIDE		
29	2	HDL-12.5-AL	ALUMINUM HANDLE 12 1/2 LONG		
30	4	SPCR125X.330	SPACER PUSH HDL 1.25X5/16		
31	2	Z-700-1108	GASKET AND HOLDER ASSY. 20.5 INCH @ 6"		
32	4	Z-700-1010	GASKET AND HOLDER ASSY. 47.5 INCH		
33*	2	EL1250-120HT	HEAT ELEMENT 1250W115V HUMI (STANDARD) (VERIFY VOLTAGE)		
34	2	Z-301-1297	STANDARD TS-1826-7-7 DOOR ASSY. INCLUDES ITEM NO. 8, 9		
35	1	Z-200-1101	STANDARD BUMPER ASSY. TS-1826-7/7		