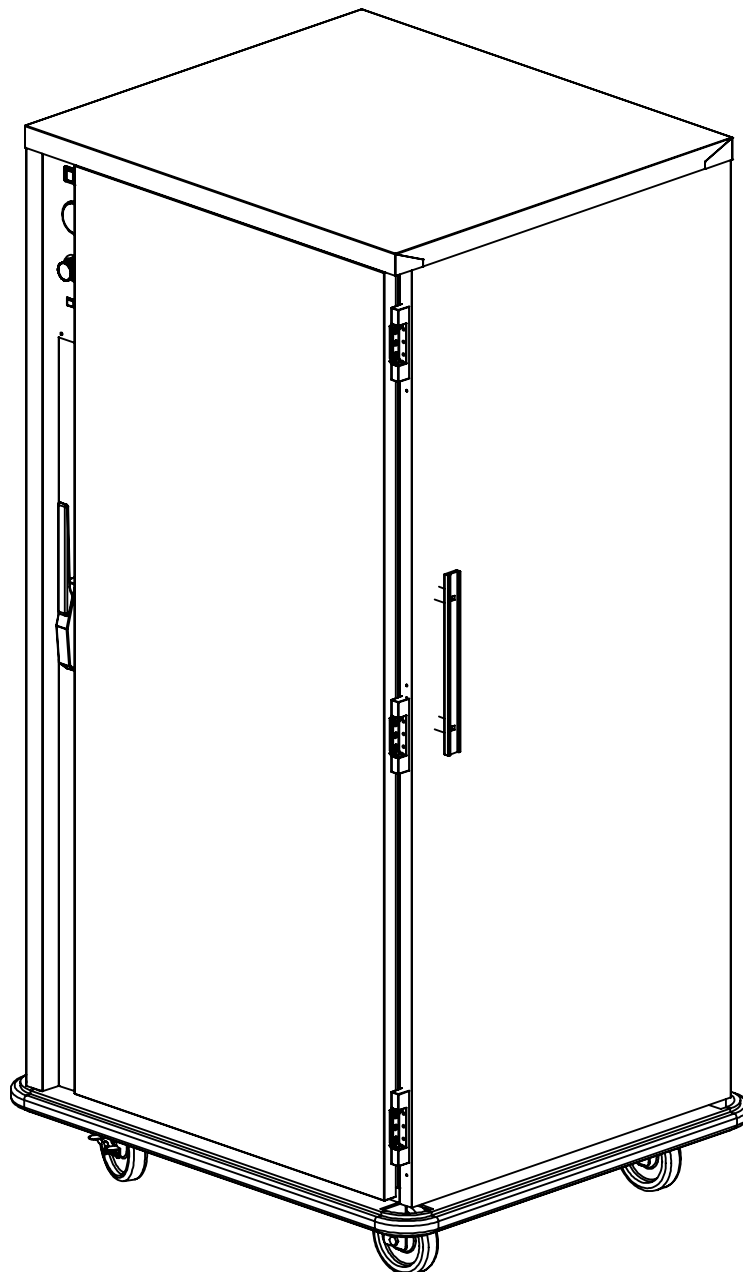


**MODEL:**

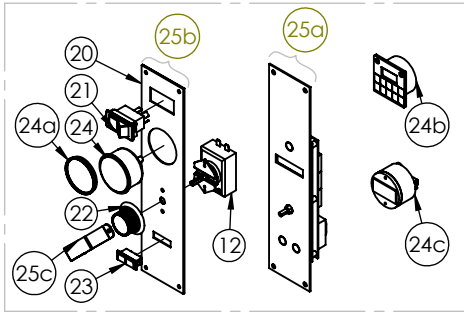
**UHS-BQ-80-XL**

Parts Manual

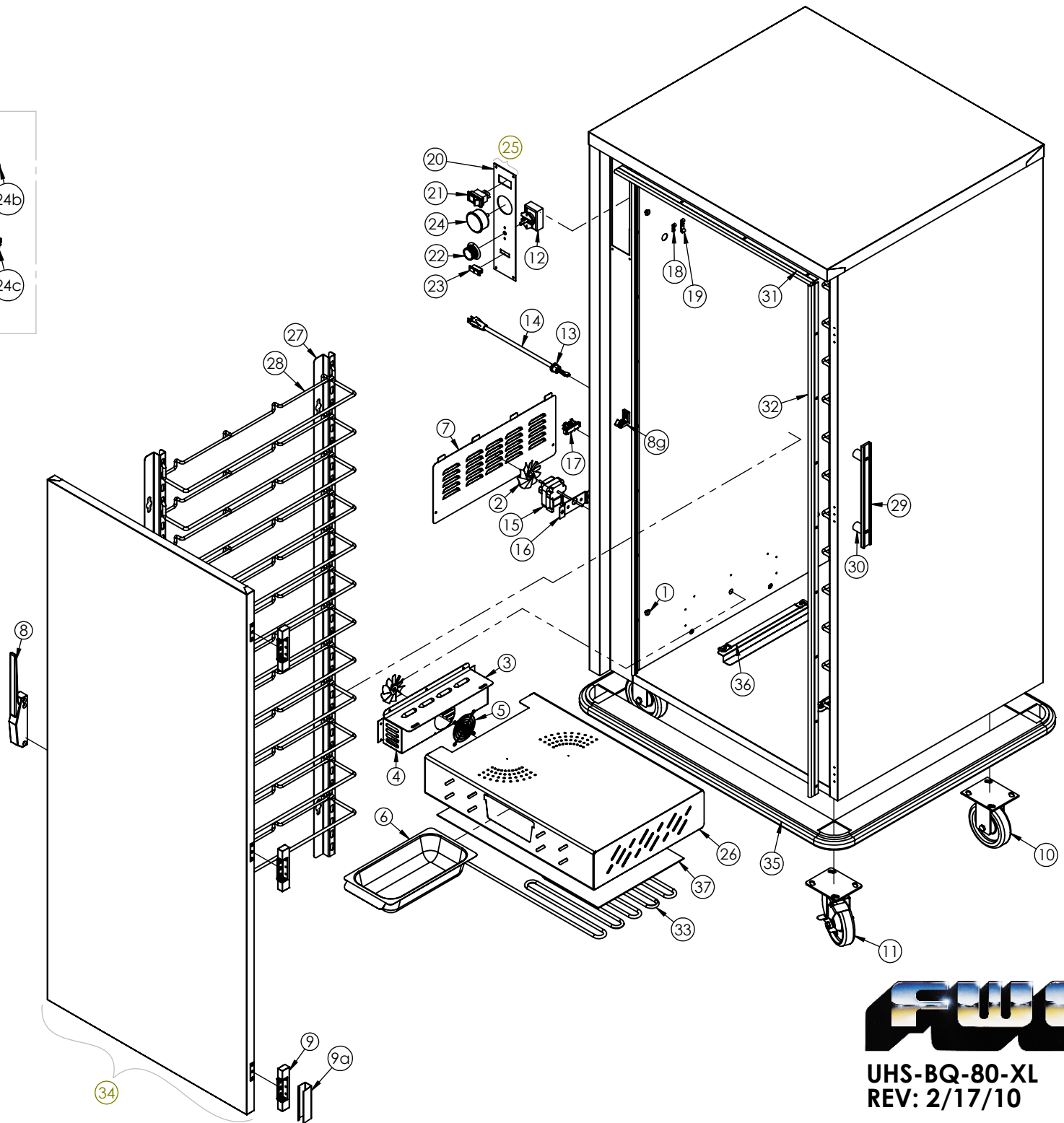
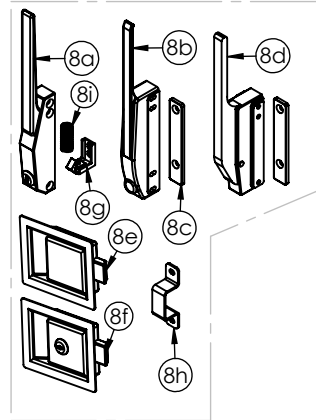


REV: 2/17/10

CONTROL PANEL OPTIONS



LATCH OPTIONS



UHS-BQ-80-XL  
REV: 2/17/10

UHS-BQ-80-XL PARTS LIST			
**NOTE: CALL MANUFACTURER IF PART IS NOT LISTED**			
ITEM NO.	QTY.	PART NO.	DESCRIPTION
1	8	B1/4-20X12CS	BOLT CARG 1/4-20X.7518-8S
2	2	BLD FAN AL	BLADE FAN AL 3IN 1875-0
3	1	4041	HUMITEMP BLOWER LID
4	1	4011	HUMITEMP BLOWER HOUSING
5	1	GRD FAN	GUARD FAN HUMI-TEMP UNITS
6	1	WATER-PAN-3RD-WHDL	Water-Pan-3rd-WHDL
7	1	53454	HUMITEMP LOUVER PANEL W/TABS
8	1	LTH-DR	EDGEMOUNTED DOOR LATCH/CHROME (STANDARD) INCLUDES ITEM 8g
8a	1	LTH-DR LK	EDGEMOUNTED DOOR LATCH/CHROME WITH LOCK (OPTION) INCLUDES 8g
8b	1	LTH MAG	MAGNETIC CHROME LATCH (OPTION) INCLUDES 8c
8c	1	LTH-DR-MAG-RH-STRIKE	LATCH OFFSET COMPOSITE, BLACK STRIKE
8d	1	LTH DR MAG-RH	MAGNETIC LATCH OFFSET COMPOSITE, BLACK (OPTION) INCLUDES 8c
8e	1	LTH PDL-STD 50	PADDLE LATCH 4.000 X 5.000 1/2IN STD (OPTION)
8f	1	LTH PDL LK-STD 50	PADDLE LARGE SS WL 30250 (OPTION)
8g	2	STK LTH 1	STRIKE USED FOR EDGEMOUNTED DOOR LATCH
8h	1	5160	STRIKE USED FOR LOCKING AND NON-LOCKING PADDLE LATCHES
8i	1	LTH DR SPG	SPRING USED FOR EDGEMOUNT LATCH
9	2	HNG-214	HINGE CAB DR CRM .875
9a	2	HNG 214 COVER	HINGE COVER (OPTION)
10	2	CSTR 5 R-2	CASTER HEAVY DUTY STANDARD 5" RIGID
11	2	CSTR 5 SB-2	CASTER HEAVY DUTY STANDARD 5" SWIVL
12	1	T-STAT H1	THERMOSTAT CAB 90-190 36IN
13	1	BSH STRN 3	STRAIN-RELIEF BLK 6N3-4
14*	1	CRDSET-10/115	CORDSET 10FEET 115V (STANDARD)- REF ELEMENT AND CORD OPTIONS
15	1	MTR JK120 92	MOTOR, 120V (VERIFY VOLTAGE)
15a	1	MTR JK 220 93	MOTOR, 220V (VERIFY VOLTAGE)
16	1	4009	MOTOR MOUNT BRACKET
17	1	TRM 3QC	TERMINAL BLOCK 3 QC TERM
18	2	CLP-AL1-4	CLAMP ALUMINUM .250 WIDE
19	1	CLP-AL3-8	CLAMP ALUMINUM .375 WIDE
20	1	CNTRL-PNL-HUMI-TEMP-AL	HUMITEMP CONTROL PANEL BLANK X 2
21	1	SWH RCK E1	ROCKING SWITCH NON-LT 20A,125V
22	1	KNB H6	KNOB CONTROL ALUMINUM SKIRT SILVER
23	1	LT-PLT-A/G	LIGHT AMBER/GREEN 125V
24	1	T-METER H1	THERMOMETER 100/220F (STANDARD)
24a	1	T-METER-LENS-COVER	THERMOMETER 100/400 LENS (OPTION)
24b	1	T-MTR-DIG-40F-300F	SOLAR POWER DIGITAL THERMOMETER (OPTION)
24c	1	T-MTR DIG F	DIGITAL THERMOMETER (OPTION)
25	1	Z-600-1014	HUMITEMP CONTROL ASSY. INCLUDES ITEMS 20,21,22,23,24 (STANDARD)
25a	1	CNTRL HUMI-TEMP	DIGITAL HUMI-TEMP CNTRL (OPTION)
25b	1	Z-600-1460	HUMITEMP CONTROL ASSY. INCLUDES ITEMS 20,21,22,23,24,25c (OPTION)
25c	1	5561	THERMOSTAT RETENTION STRAP HDM
26	1	50719	UHS-BQ-80-XL WATER PAN TUNNEL
27	4	4501	UHS-BQ-80-XL UPRIGHT
28	30	SLD UHS 245	245 TRAY SLIDE
29	2	HDL-21.5-AL	HANDLE PUSH AL 21.5
30	6	SPCR125X.330	SPACER PUSH HDL 1.25X5/16
31	2	Z-700-1006	GASKET AND HOLDER ASSY. 47,5 INCH
32	2	Z-700-1012	GASKET AND HOLDER ASSY. 66 INCH
33	1	EL1500-115A	STANDARD HEAT ELEMENT 1500W115V HUMI
34	1	Z-300-1178	STANDARD UHS-BQ-80-XL DOOR ASSY. INCLUDES ITEM NO. 8, 9
35	1	Z-200-1159	UHS-BQ-80-XL BUMPER ASSY.
36	2	5958	P-200 1600W ELEMENT BRACKET STRAP
37	1	51296	TS-1418-33 HEATING ELEMENT COVER