



5599 Highway 31 West  
Portland, TN 37148  
(615)325-2774

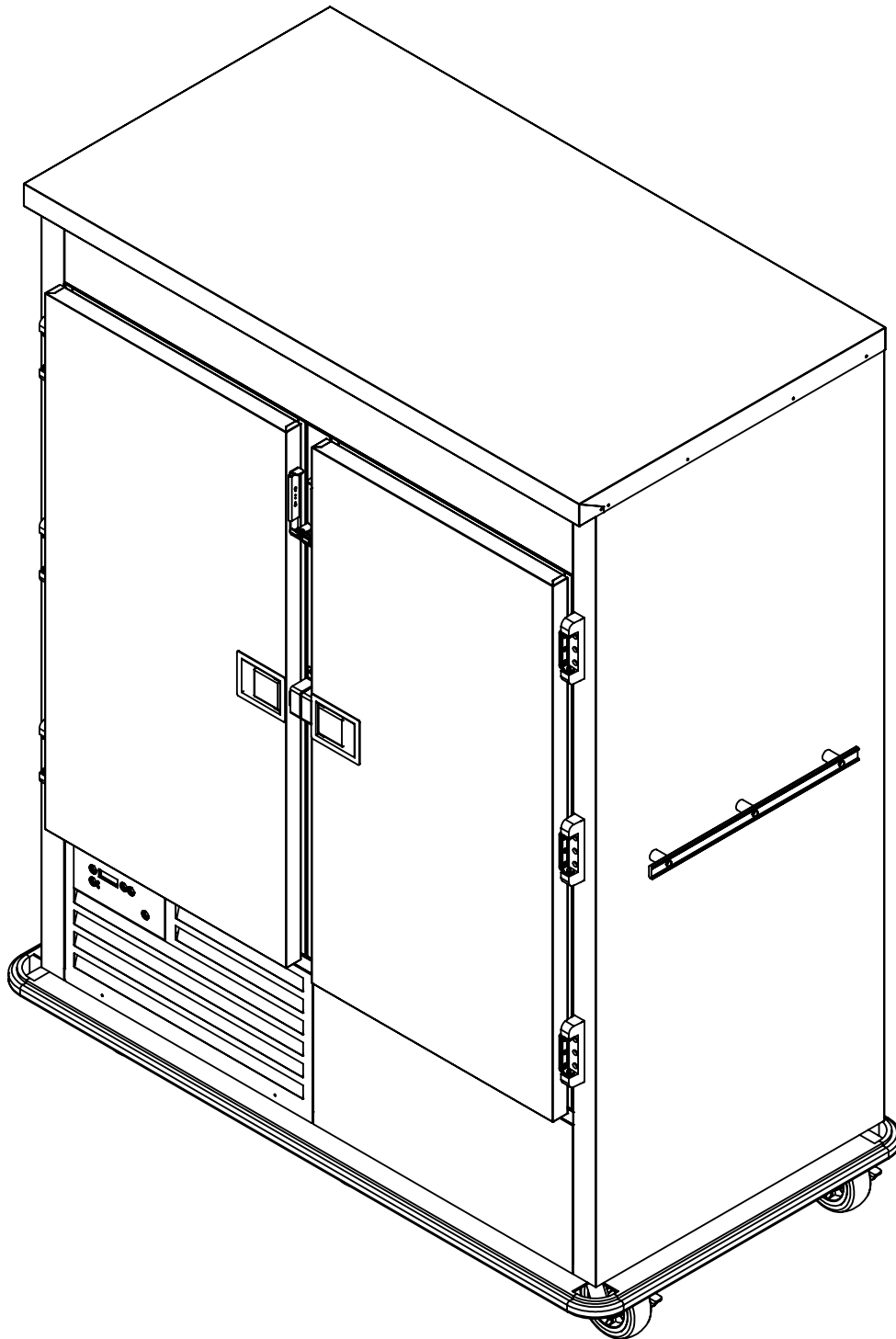
# URS-20

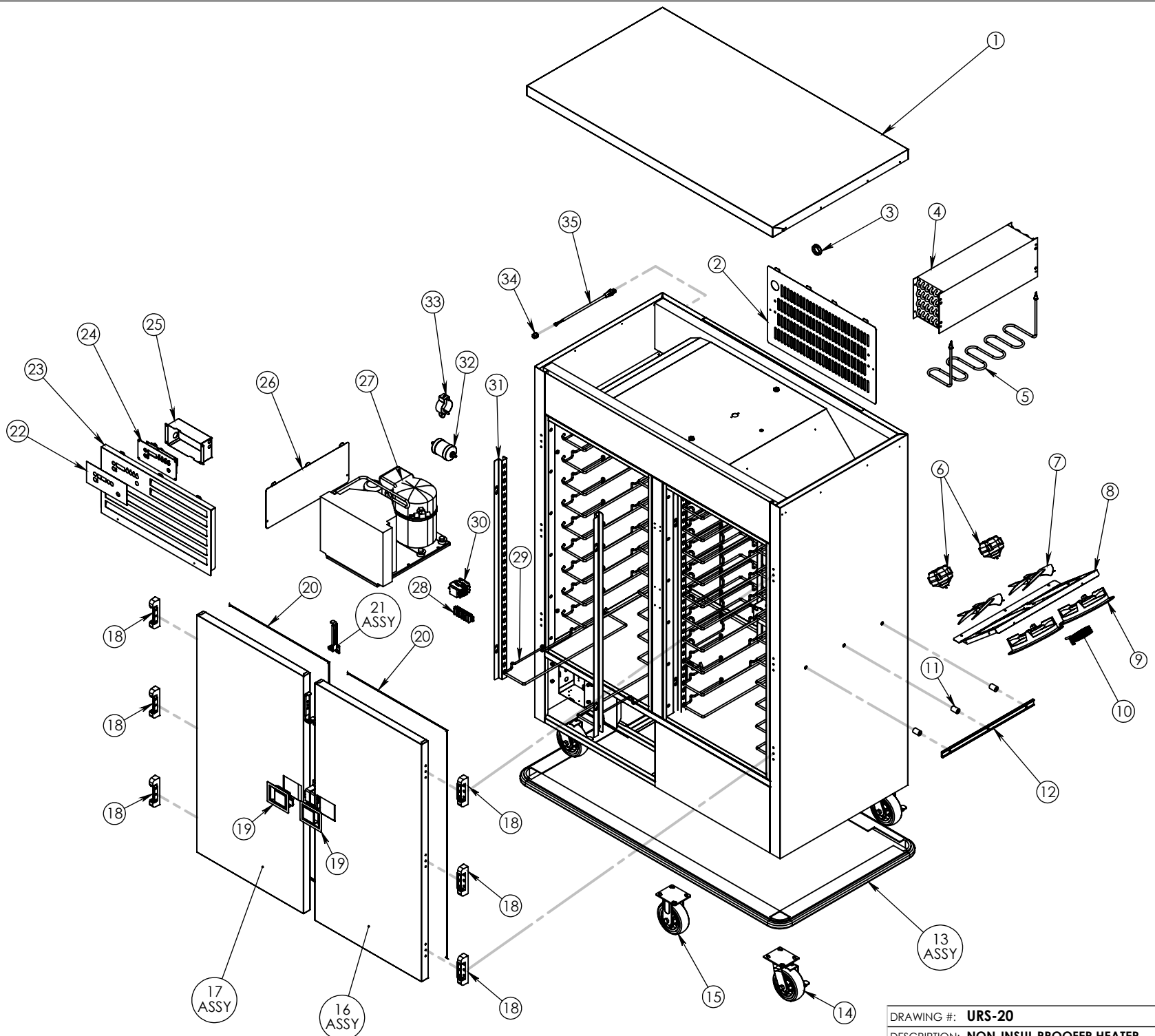
Pg.1 . TITLE PAGE

Pg.3 . URS-20  
BOM

Pg.2 . URS-20  
EXPLODED

Pg.4 . COND-UNIT-R-450  
BOM





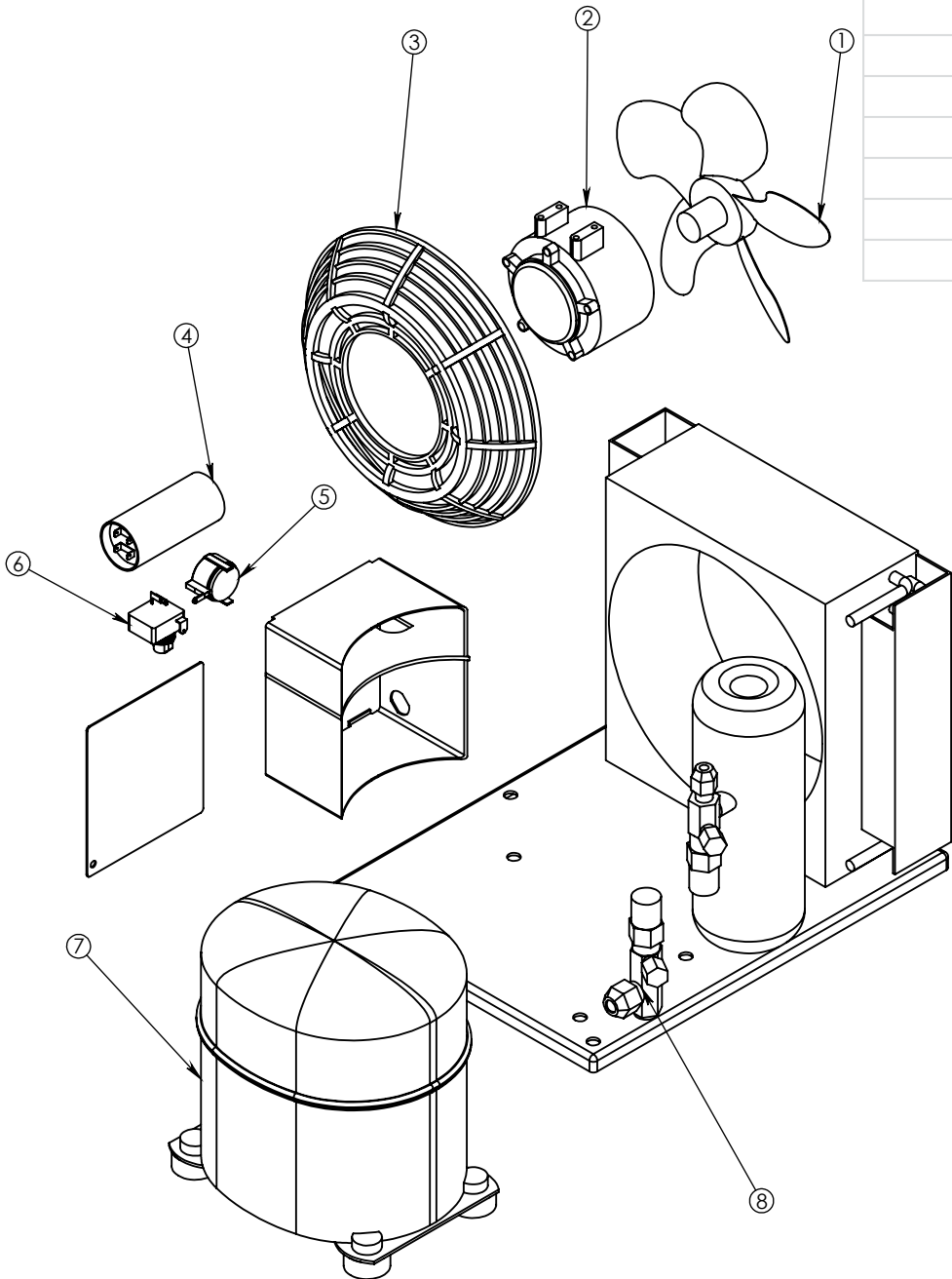
DRAWING #: <b>URS-20</b>	
DESCRIPTION: <b>NON-INSUL.PROOFER HEATER</b>	
DRAWN BY: DP	LAST SAVED BY: dplodzien

ITEM NO.	QTY.	PART NO.	DESCRIPTION
1	1	26627	URS-20 OUTSIDE TOP
2	1	55746	REAR GRILL PANEL WITH TABS
3	1	BSH 1 3-4	SNAP IN BLACK SB-1.750-22
4	1	EVAP AC	EVAPORATOR COIL COATED 6-ROW
5	1	EL-DFST-AC-1-220	DEFROST ELEMENT 120/220V 223/750W
6	1	FAN MTR ECM	FAN MOTOR DUAL VOLTAGE 115/230
7	1	BLD FAN 8	FAN BLADE PLASTIC 200MM DIA 28DEG
8	1	81500	EVAP AC BLOWER 8" FAN SINGLE
9	1	FAN BLD RING 8	FAN BLADE RING PLASTIC FIT 200MM
10	1	Z-600-3589	F THERMISTOR PROBE AND NYLON CLIP
11	6	SPCR125X.330	HANDLE SPACERS FOR HDL 21 AND 12.
12	2	HDL-215-AL	HANDLE PUSH AL 21.5
13	1	Z-200-1701	URS-20 BUMPER ASSY NARROW
14	4	CSTR 62-SB-PPF	CASTER 6" SWIVEL BRAKE EZ ROLL POLY
15	2	CSTR 62-R-PPF	CASTER 6" RIGID EZ ROLL POLY
16	1	Z-301-5173 (INCLUDES 18-21)	URS-20 DOOR ASSY 3EDG/PDL VMAXI RH
17	1	Z-301-5167 (INCLUDES 18-21)	URS-20 DOOR ASSY 3EDG/PDL VMAXI LH
18	6	HNG-217	DOOR HINGE EDGEMOUNT 1.375" REF
19	2	LTH PDL-STD 50	DOOR LATCH PADDLE 4X5 1/2" STUDS
20	2	GSKT MAGS2548	GASKET MAGNET SANTOPRENE 25X48
21	2	Z-600-5660	SIDE MOUNT MAXI SLIDE ASSY REFRIG
22	1	CNTRL-PNL-COLD-TEMP-DDHDM	COLD TEMP-DBL DR HDM OVERLAY
23	1	81228	URS-20 FRONT CONTROL LOUVER PANEL
24	1	CNTRL-REFRIG-6MOD-2	CONTROLLER SLDST HORIZONTAL REF
25	1	52981	CONTROLLER REAR COVER
26	1	80393	SIDE ACCESS COVER
27	1	COND-UNIT-R-450-5 (SEE PAGE 4)	CONDENSING UNIT 1/2HP R450A
28	1	TRM BLK RTH	TERMINAL BLOCK -6 POLES
29	40	SLD UHS245 - NYLON FINISH	TRAY SLIDE NYLON FINISH UHS
30	1	CONTACT-2 POLE-120V-40AMP	CONTACTOR RELAY 2-POLE 120V 40A
31	8	82017	UPRIGHT
32	1	FLTR-DRY-BRZ	FILTER DRIER-1/4 ODF SOLDER C-082-S
33	1	CLAMP HANGER 2-1/2	2-1-2" CLAMP HANGER WITH BOLT
34	1	BSH STRN 3	STRAIN RELIEF FOR 15 AMP CORD
35	1	CRDSET10-115	CORD 12' 115V 5-15P 14GA 3WR 15AMP



DRAWING #: <b>URS-20</b>	
DESCRIPTION: <b>NON-INSUL.PROOFER HEATER</b>	
DRAWN BY: DP	LAST SAVED BY: dplodzien

ITEM NO.	QTY.	PART NO.	DESCRIPTION
1	1	COND-UNIT-R-450-FAN-BLADE	FAN BLADE COND-UNIT-R-450
2	1	COND-UNIT-R-450-BLWR-MTR	BLOWER MOTOR FOR COND-UNIT-R-450
3	1	COND-UNIT-R-450-FAN-GRILL	FAN SHROUD FOR COND-UNIT-R-450
4	1	COND-UNIT-R-450-ST-CAPAC	START CAPACITOR FOR CON-UNIT-R-450
5	1	COND-UNIT-R-450-OVERLOAD	OVERLOAD FOR COND-UNIT-R-450
6	1	COND-UNIT-R-450-RELAY	RELAY FOR COND-UNIT-R-450
7	1	COMPR R-450	COMPRESSOR REFRIGERATORS 450
8	1	COND-UNIT-R-450-VLV	VALVE KIT SWEAT FOR R-450



5599 Highway 31 West  
Portland, IN 37148

TEL. (615)325-2774  
FAX. (615)628-0480

DIMENSIONS ARE O.D.  
UNLESS OTHERWISE SPECIFIED  
TOLERANCES:  
+/- .031 +/- 1 DEG.

**DO NOT SCALE DRAWING**

DRAWING #: **URS-20**

DESCRIPTION: **CONDENSING UNIT 1/4HP R450A**