



5599 Highway 31 West  
Portland, TN 37148  
(615)325-2774

---

# LCHR-1220-4-SPOD

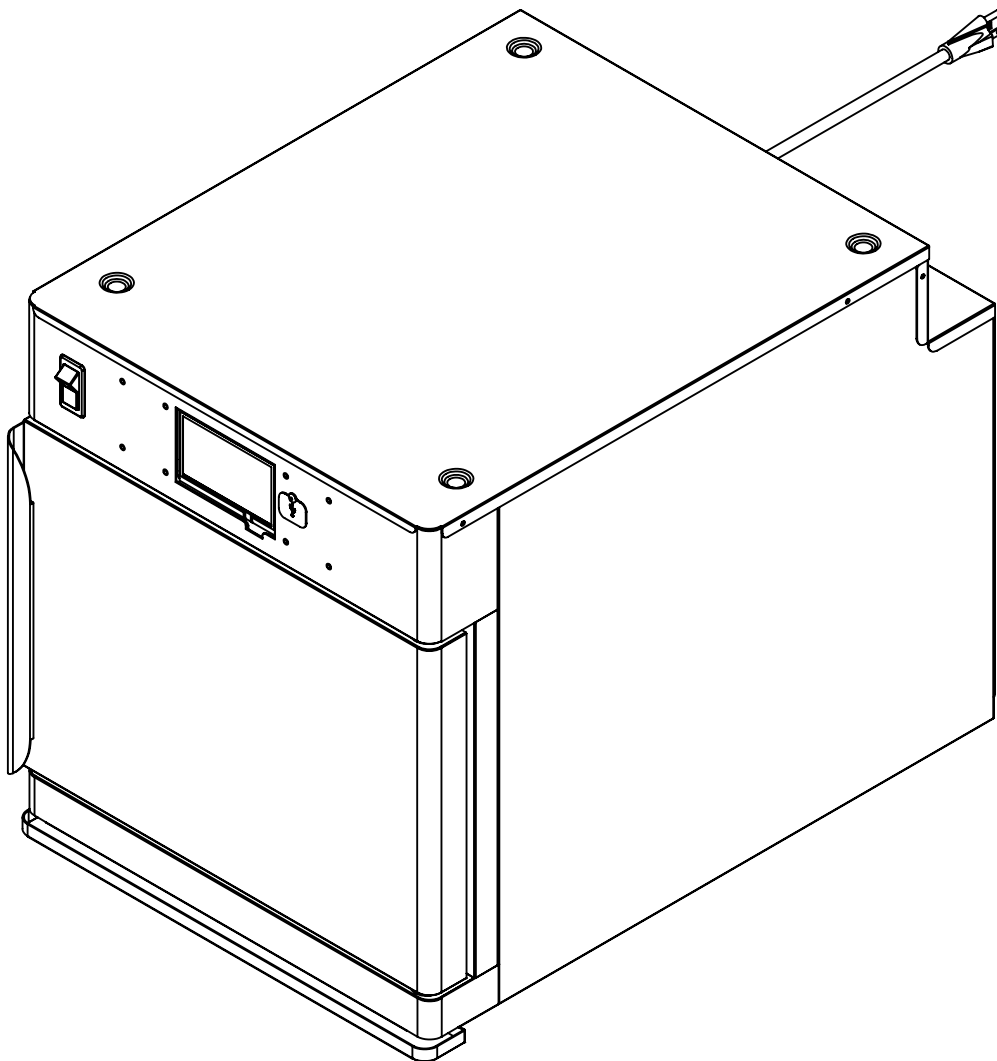
---

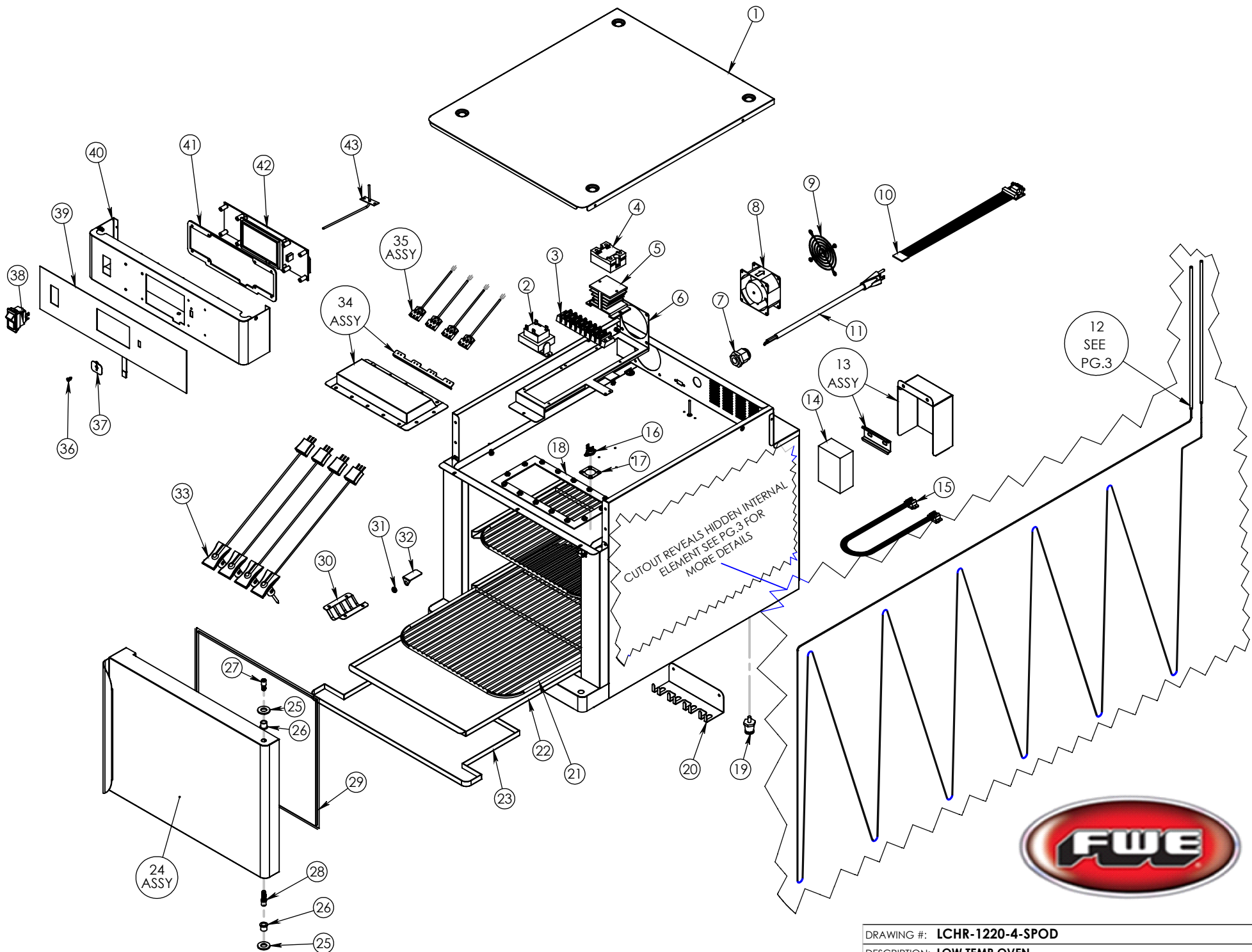
Pg.1 ..... Title Page

Pg.2 ..... LCHR-1220-4-SPOD

Pg.3 ..... Element Page

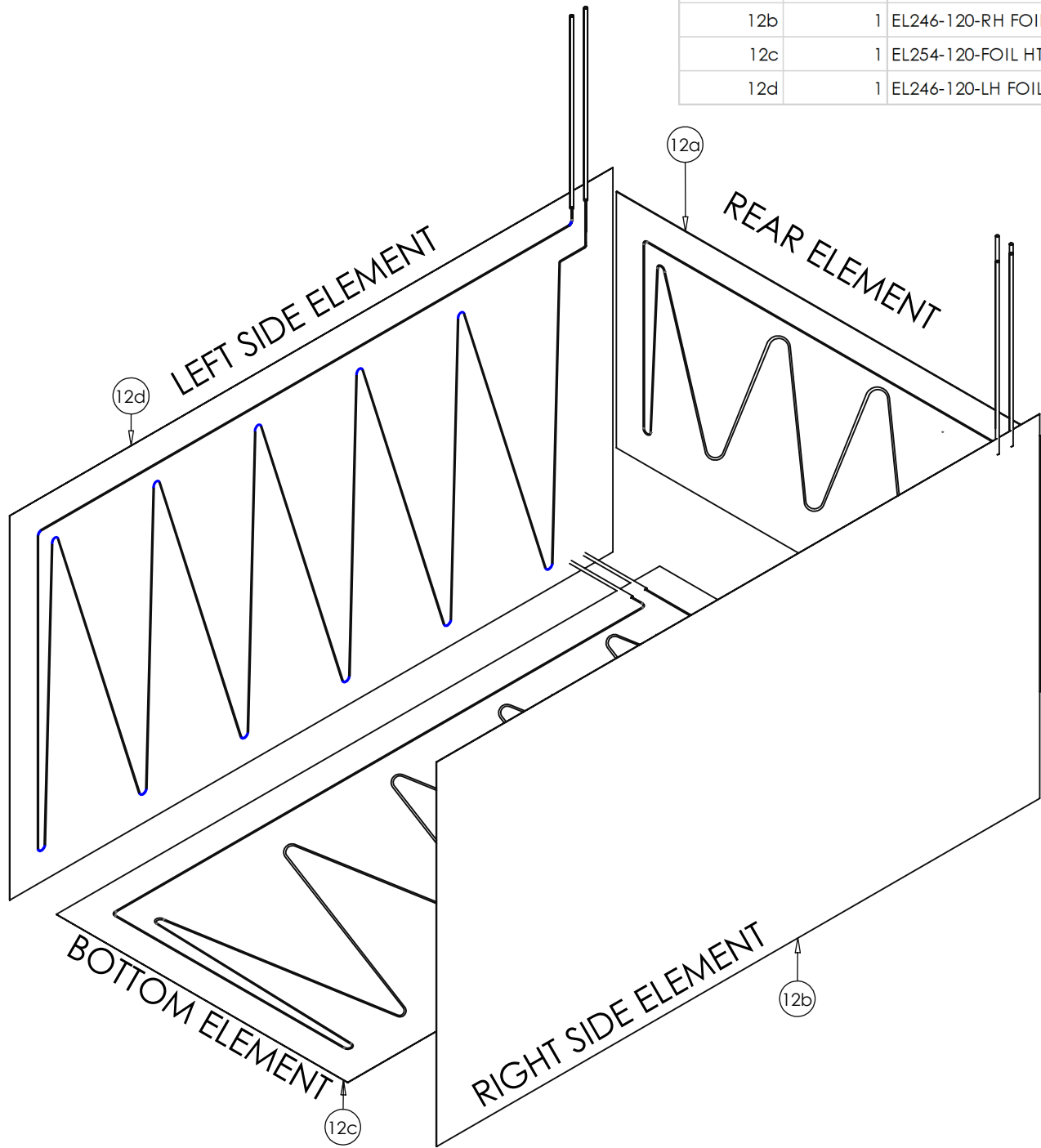
Pg.4 ..... LCHR-1220-4-SPOD BOM





DRAWING #: LCHR-1220-4-SPOD	
DESCRIPTION: LOW TEMP OVEN	
DRAWN BY: AL	LAST SAVED BY: ALINCOLN

12a	1	EL197-120-FOIL HT	ELEMENT 197W 120V FOIL REAR
12b	1	EL246-120-RH FOIL HT	ELEMENT 246W 120V 36" LEAD FOIL RH
12c	1	EL254-120-FOIL HT	ELEMENT 254W 120V FOIL BOTTOM
12d	1	EL246-120-LH FOIL HT	ELEMENT 246W 120V 36" LEAD FOIL LH



DRAWING #: <b>LCHR-1220-4-SPOD</b>	
DESCRIPTION: <b>LOW TEMP OVEN</b>	
DRAWN BY: AL	LAST SAVED BY: ALINCOLN

ITEM NO.	QTY.	PART NO.	DESCRIPTION
1	1	24952	LCH-1220-4-G3 OUTSIDE TOP
2	1	TRNS-120-24-20VA	TRANSFORMER 120V/24V 20VA
3	1	TRM BLK-08	TERMINAL BLOCK -8 POLES
4	1	RLY 25AMP	SSR RELAY 25A 230V
5	1	SSR HEAT SINK	X50 HEAT SINK - PANEL MOUNT
6	1	82868	LCHR-1220-4 GEN2 COMPONENT MOUNT C
7	1	STRN RELIEF LTF 13.5	STRAIN RELIEF HEYCO 3216
8	1	FAN PHTT 115	115V FAN, 80 X 80 X 38MM
9	1	GRD FAN	FAN GUARD
10	1	CBL DB-9	DB-9 CABLE
11	1	CRDSET10-115-8	CORD 8' 115V 5-15P 14GA 3WR 10AMP
12	1	ELEMENTS (SEE PAGE 3)	ELEMENTS FOR LCHR-1220-4-SPOD
13	1	Z-600-4814	LCH-1220-4-G3 S-POD COVER ASSY
14	1	S-POD	SPOD WITH CABLE FOR COOK AND HOLD
15	1	S-POD CABLE	CABLE FOR COOK AND HOLD S-POD
16	1	HI-LIMIT 257 DEG	HI-TEMP SNAP DISC 257 DEG. F AUTO
17	1	67594	MOUNTING PLATE FOR HI-LIMIT 500DEG
18	1	GSKT LCH 1220 SS	SILICONE SOLID 1/16" D/C W/PSA
19	4	LEG ZN 1	LEGS ZINC - CHROME FINISH 1"
20	1	69016	LCHR-1220-4-ARB MEAT PROBE HOLDER
21	2	SHLF 19X13	WIRE SHELF 19.5 X 13.3125 SS
22	1	67212	LCH-1220-4-G3 DRIP PAN
23	1	68317	LCHR-1220-4 OUTSIDE DRIP PAN
24	1	Z-301-3992 (INCLUDES 25-29)	LCH-1220-4-G3 DOOR ASSY ROD/VMWF FR
25	2	80725	WASHER 1"OD X 1/2" ID 12GA

26	2	BEARING-SLV-3-8 DIA	BRONZE FLANGED SLEEVE BEARING 3/8"D
27	1	PIN DOOR	5/16 X 18 X 1" PIN W/SLOT 18-8 SS
28	1	PIN DOOR 1	5/16 X 18 X 1.375" PIN W/SLOT 18-8
29	1	GSKT-D-14-375X12-75	SILICONE DOOR GASKET D 14.375X12.75
30	1	67754	LCH-1220 HEAT PROBE GUARD
31	1	GRMT-HT-3-16	SILICONE GROMMET 3/16ID X 7/16OD
32	1	84079	LCHR-1220-4-ARB TEMP PROBE HOLDER
33	4	PRB CH MT	COOK AND HOLD MEAT PROBE
34	1	Z-600-4864 (INCLUDES 35)	LCH-1220-4-G3 PROBE RTD ASSY
35	4	Z-600-6113	LCH-1220-4 SILICONE PROBE RTD ASSY
36	1	RIVET NYLON	NYLON KEYHOLE SHANK RIVET
37	1	67940	LCH-1220-4-G3 USB COVER
38	1	SWH RCK E1	SWITCH NON-LT ROCKER 125/250V 20AMP
39	1	CNTRL PNL BD AR	BONDED ARBY'S OVERLAY
40	1	Z-600-8502 (INCLUDES 36,37, AND 39)	LCHR-1220-4 GEN2 CNTRL SERVICE KIT
41	1	82853	LCHR-1220-4 VAST CONTROL SPCR .09
42	1	CNTRL BRD-BD LCH 4.3 G2	CONTROL BOARD/BONDED OVERLAY 4.3" G
43	1	PRB RTD	RTD TEMPERATURE PROBE



DRAWING #: **LCHR-1220-4-SPOD**

DESCRIPTION: **LOW TEMP OVEN**

DRAWN BY: AL

LAST SAVED BY: ALINCOLN