



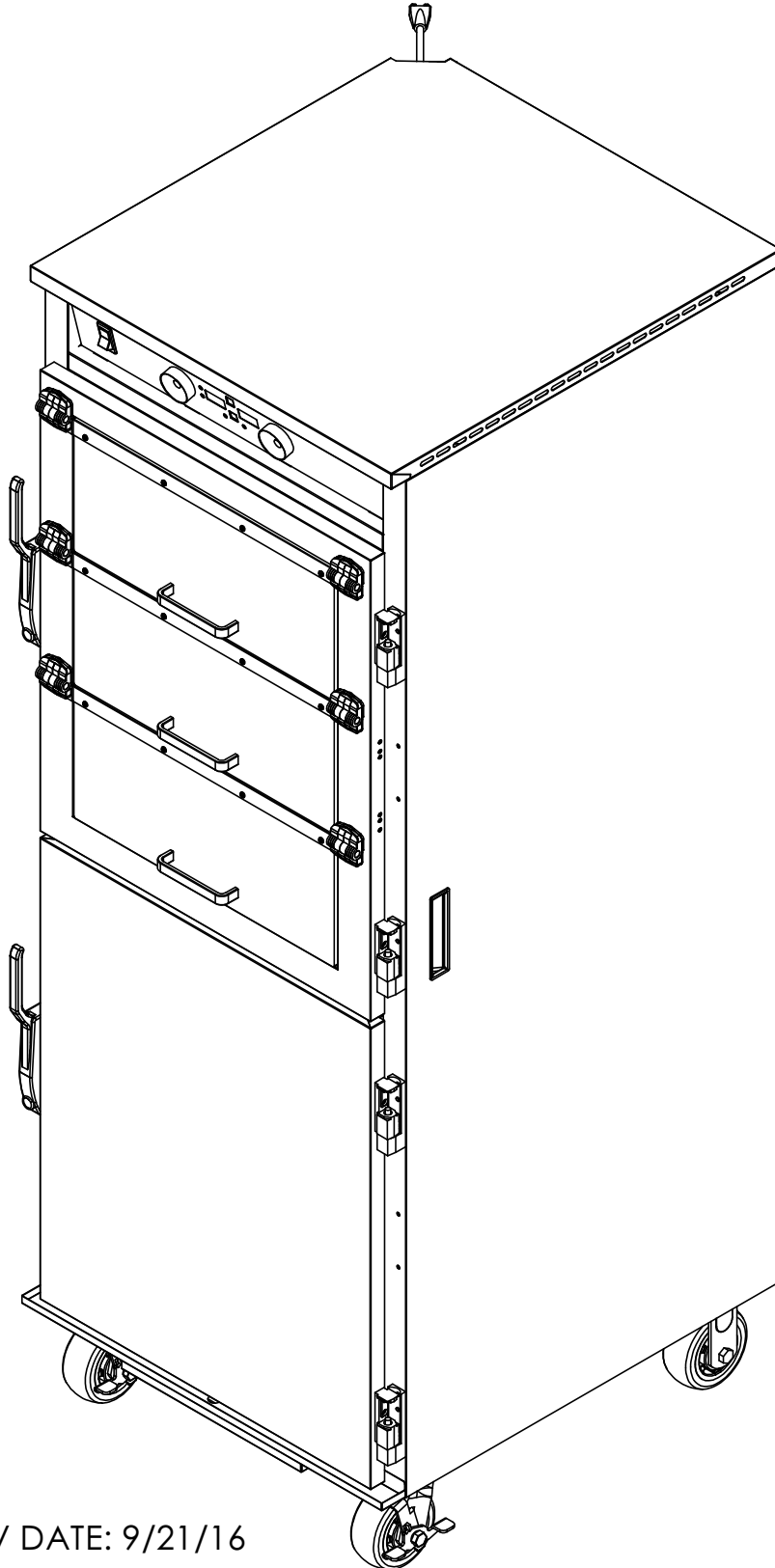
5599 Highway 31 West  
Portland, TN 37148  
(615) 325-2774

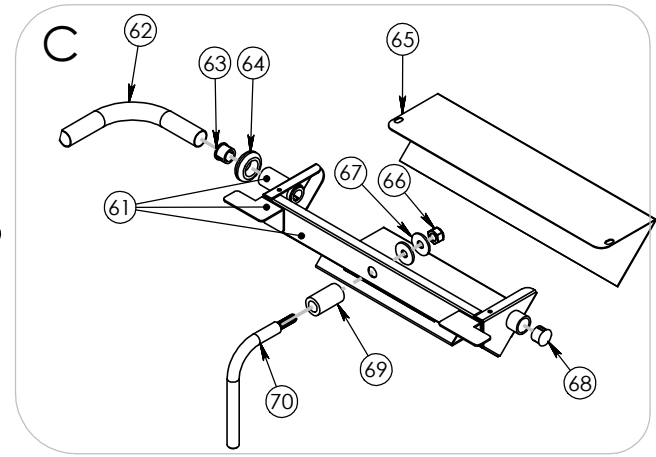
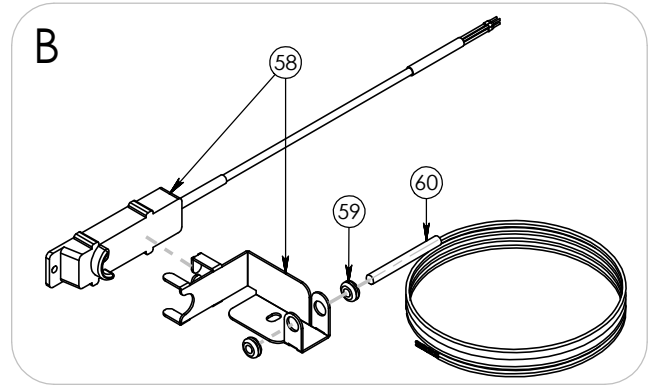
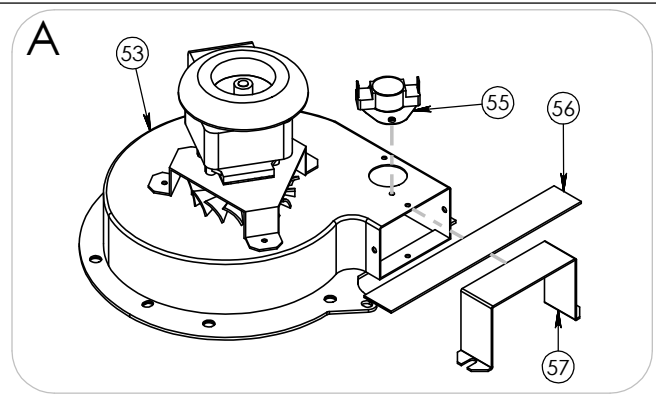
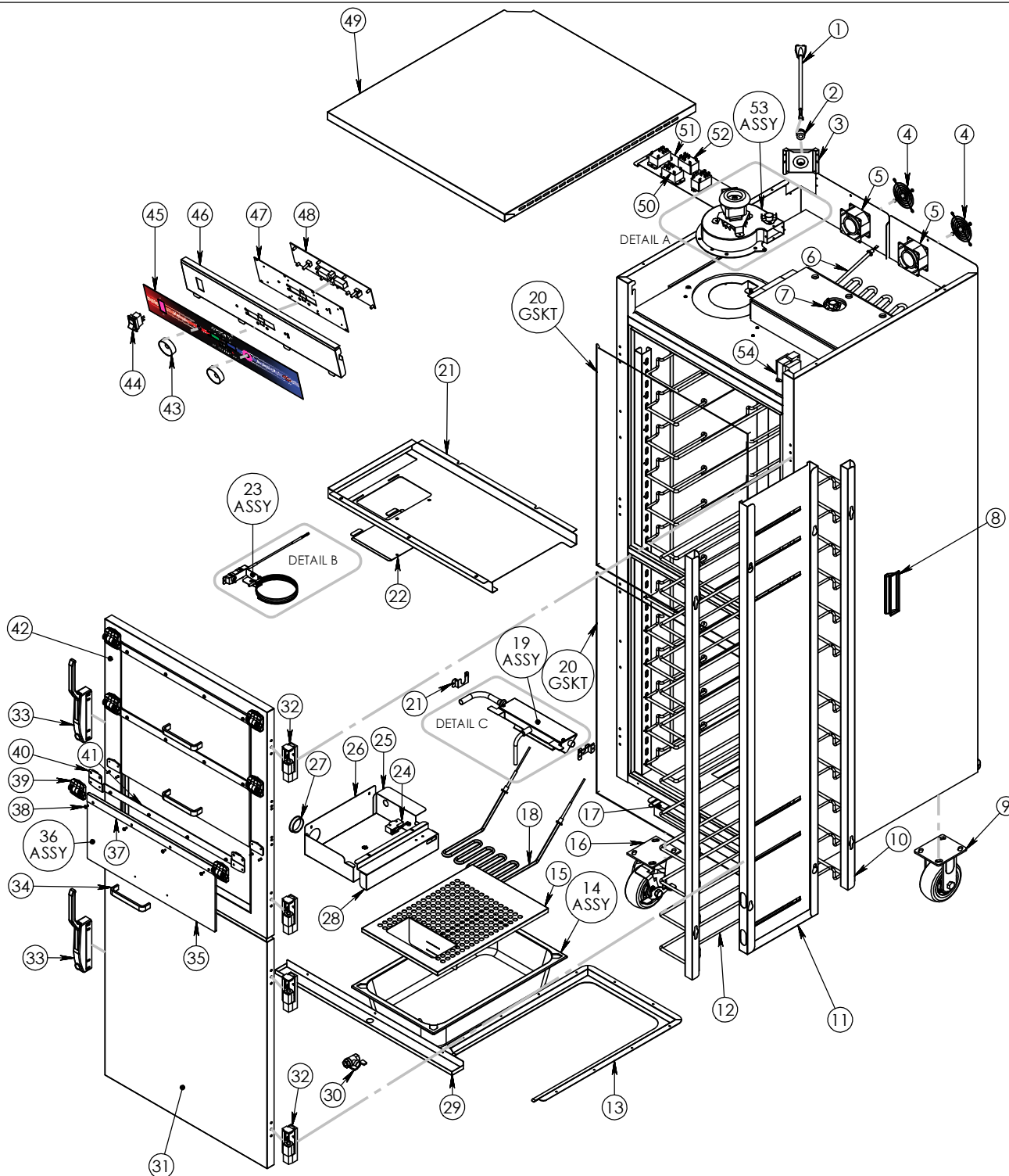
# PHTT-12-SB

Pg.1 .....Title Page

Pg.3 .....PHTT-12-SB BOM

Pg.2 .....PHTT-12-SB





DRAWING #: <b>PHTT-12-SB</b>	
DESCRIPTION: <b>UNIVERSAL PRECISE HUMIDITY</b>	
DRAWN BY: DP	LAST SAVED BY: dplodzien

ITEM NO.	QTY.	PART NO.	DESCRIPTION	36	3	Z-600-4531 (INCLUDES PARTS 34,35,37-41)	PHTT-12-SB LEXAN ASSY NO HOLE
1	1	CRDSET10-220	CORD 12' 220V 6-15P 14GA 3WR 15AMP	37	3	56110	PHTT-12-SB LEXAN DOOR FRONT PLATE
2	1	BSH STRN 4	STRAIN-RELIEF BLK SR 8P-2	38	20	S8-32X375 PH	8-32X3/8 PAN HEAD PHILLIPS MS, 18-8
3	1	53518	PHTT-12-SB CORD BRKT 3 POS CORD	39	6	HNG SET ANGLE SS	SET ANGLE POSITION HINGE 150 DEG SS
4	2	GRD FAN	FAN GUARD	40	10	59679	HNG SET ANGLE SPRING CAP
5	2	FAN PHTT 230	SUNON 230V FAN,80 X 80 X 38MM	41	3	56109	PHTT-12-SB LEXAN DOOR HINGE PLATE
6	1	EL2000-220HT	ELEMENT 2000 WATT 220 VOLT 8" HT	42	1	Z-301-3762 (INCLUDES PARTS 32-41)	PHTT-12-SB 3 FLIP UP LEXAN HINGE
7	1	SNAP DISC 210-250	HI-LIMIT SWITCH NC L250	43	2	KNB PHTT	KNOB, DIMPLE TURN
8	2	PL FLSH BLK ABS	DOOR PULL, BLACK ABS 5.01	44	1	SWH RCK E1	SWITCH NON-LT ROCKER 125/250V 20AMP
9	2	CSTR 52-R-PPF	CASTER 5X2" EZ ROLL RIGID POLY BLUE	45	1	CNTRL PNL PHT	OVERLAY CNTR PNL PHT 4.125X 24"
10	4	53221	PHTT-12-SB UPRIGHT	46	1	57547	PHTT-12-SB CONTROL PANEL
11	1	59728	PHTT SUPPLY TUNNEL	47	1	80030	CNTRL PANEL PRECISE HUMITEMP
12	24	SLD-UHS245-SS	TRAY SLIDE STAINLESS STEEL UHS245 SS ELECTRO-POLISH	48	1	CNTRL BRD-PHTT STD	CONTROL BOARD FOR STANDARD PHTT
13	1	54241	PHTT WATER PAN SLIDE BRKT	49	1	25915	PHTT OUTSIDE TOP 3 POS CORD
14	1	Z-600-2135	PHTT-12 WATER PAN ASSY	50	2	RLY 30AMP DPDT 240	30AMP PANEL MOUNT RELAY,2 POLE 240V
15	1	53497	PHTT-12-SB WATER PAN COVER	51	1	57636	PHTT COMPONENTS MOUNTING BRKT
16	2	CSTR 52-SB-PPF	CASTER 5X2" EZ ROLL SWIVL POLY BLUE	52	2	RLY 30AMP DPDT 240-FIN	30AMP PANEL MOUNT RELAY,2 POLE 240V
17	1	54327	PHTT DRIP PAN	53	1	Z-600-4328 (INCLUDES PARTS 55-57)	BLWR-240-220-60 W/SNAP DISC 150-130
18	1	EL2000-240 PHTT	ELEMENT 2000W 240V	54	1	TRNS-240-120-40VA	TRANSFORMER 240V-120V 40 VA
19	1	Z-800-2110 (INCLUDES PARTS 61-70 )	PHTT-12-SB,8,12 BTM ELEMT W/COND PRB	55	1	SNAP DISC 150-130	COOL DOWN SWITCH NO F150
20	2	GSKT-D-24X29-875	SILICONE GASKET D-24.00X29.875	56	1	GSKT 1MCS @ 7"	MED CELL SIL FOAM GSKT 1X.25X20'PSA
21	1	67771	PHTT BLOWER RETURN BAFFLE	57	1	59672	BAY BLOWER END SEAL CAP
22	1	57659	PHTT BAFFLE ACCESS PLATE	58	1	Z-600-3850	PHTT SENSOR NO T PROBE
23	1	Z-800-2042 (INCLUDES PARTS 58-60)	PHTT SENSOR MOUNT PLATE ASSY	59	2	GRMT-HT-3-16	SILCONE GROMMET 3/16ID X 7/16OD
24	1	SWH SAFETY-PHTT	SAFETY SWITHCH FOR WATER HEATER	60	1	THERMISTOR-PROBE	THERMISTOR-PROBE
25	1	53498	PHTT-12-SB BOTTOM ELECTRICAL BOX COVER	61	1	Z-600-2858	PHTT BOTTOM ELEMENT PLATE ASSY
26	1	54955	PHTT SIDE ACCESS PANEL	62	1	SLV-ACRYLIC-WHITE-7-16 @ 7"	SLEEVING ACRYLIC 7/16 ID WHITE FA1
27	1	PLG 1 3-4	PLUG-BK FINISHING-UNVENT-LOCK 1-3/4	63	2	BSH-1-2	SNAP-IN BUSHING SB-500-6
28	1	53601	PHTT-12 SAFETY SWITCH MOUNT BRKT	64	1	GRMT-HT-9-16	SILCONE GROMMET 9/16ID X 1-1/16OD
29	1	66113	PHTT- DRIP THROUGH PRSS/GSKT	65	1	53358	PHTT-12-SB ELEMENT MOUNTING COVER
30	1	VLV SHUT OFF PHTT	MINI CHROME PLATED BRASS BALL VALVE	66	1	N1-4-20 NEUN	NUT 1/4-20SS SELF LOCKING
31	1	Z-301-2055 (INCLUDES PARTS 32-33)	PHTT-12-SB DOOR ASSY SC/MAG RH	67	2	W75X1-4X1-16	WASHER SS 75" D
32	4	HNG-LIFT-OFF-215	HINGE LIFT-OFF SELF CLOSING 1-3/16	68	1	PLG 1-2	PLUG HOLE BLK-2643 OD.500
33	2	LTH MAG OFFSET HNDL	CHROME MAGNETIC LATCH #1071B00024	69	1	COND PROBE WASHER	CONDUCTIVE PROBE WASHER
34	3	PL SS	PULL BAR SS SATIN FINISH 5.25"	70	1	COND PROBE 4N	CONDUCTIVE PROBE 3.75" ELECTROLESS NICKEL PLATE
35	3	70273	PHTT LEXAN DOOR NO HOLE				



DRAWING #: **PHTT-12-SB**

DESCRIPTION: **UNIVERSAL PRECISE HUMIDITY**

DRAWN BY: DP

LAST SAVED BY: dplodzien