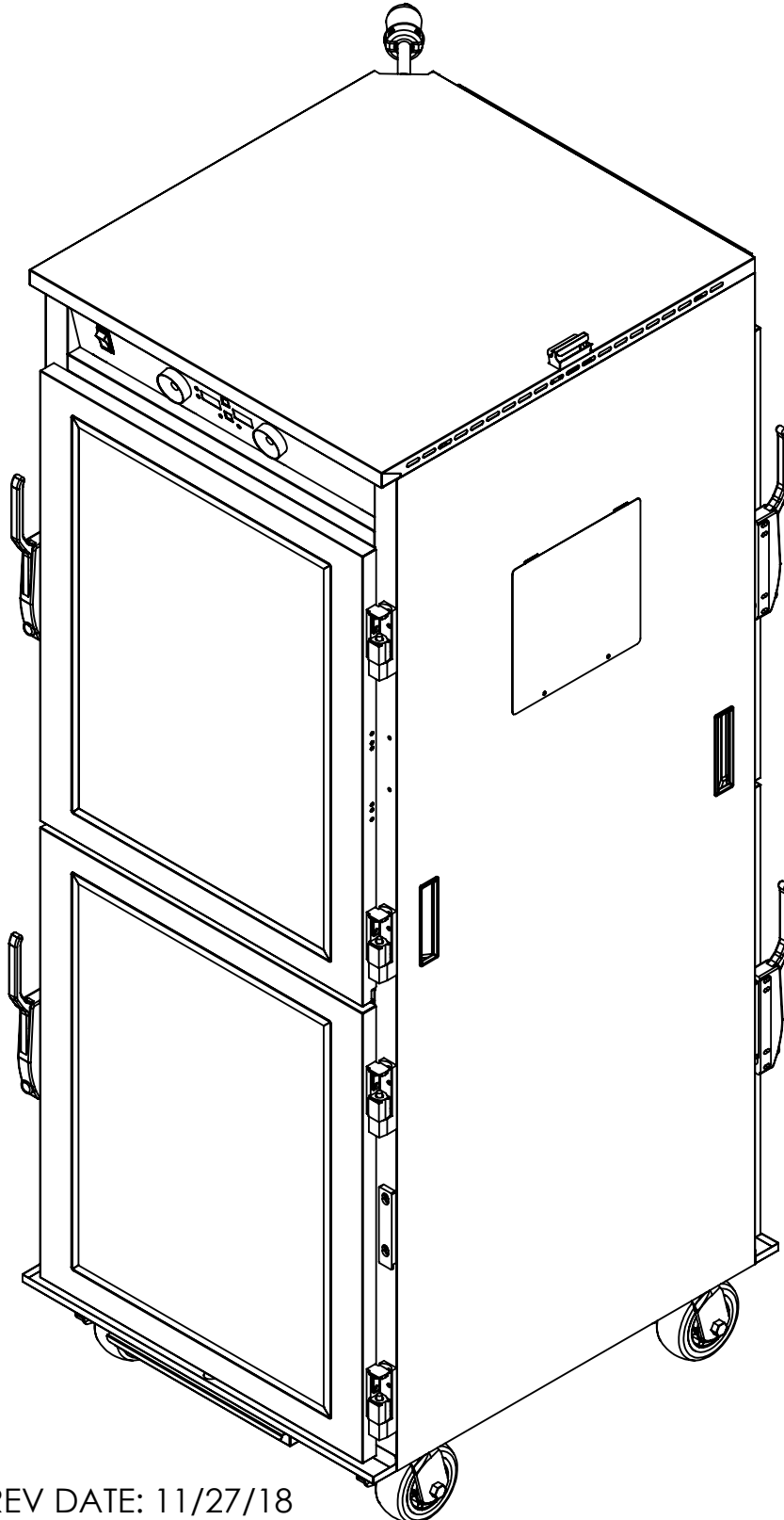


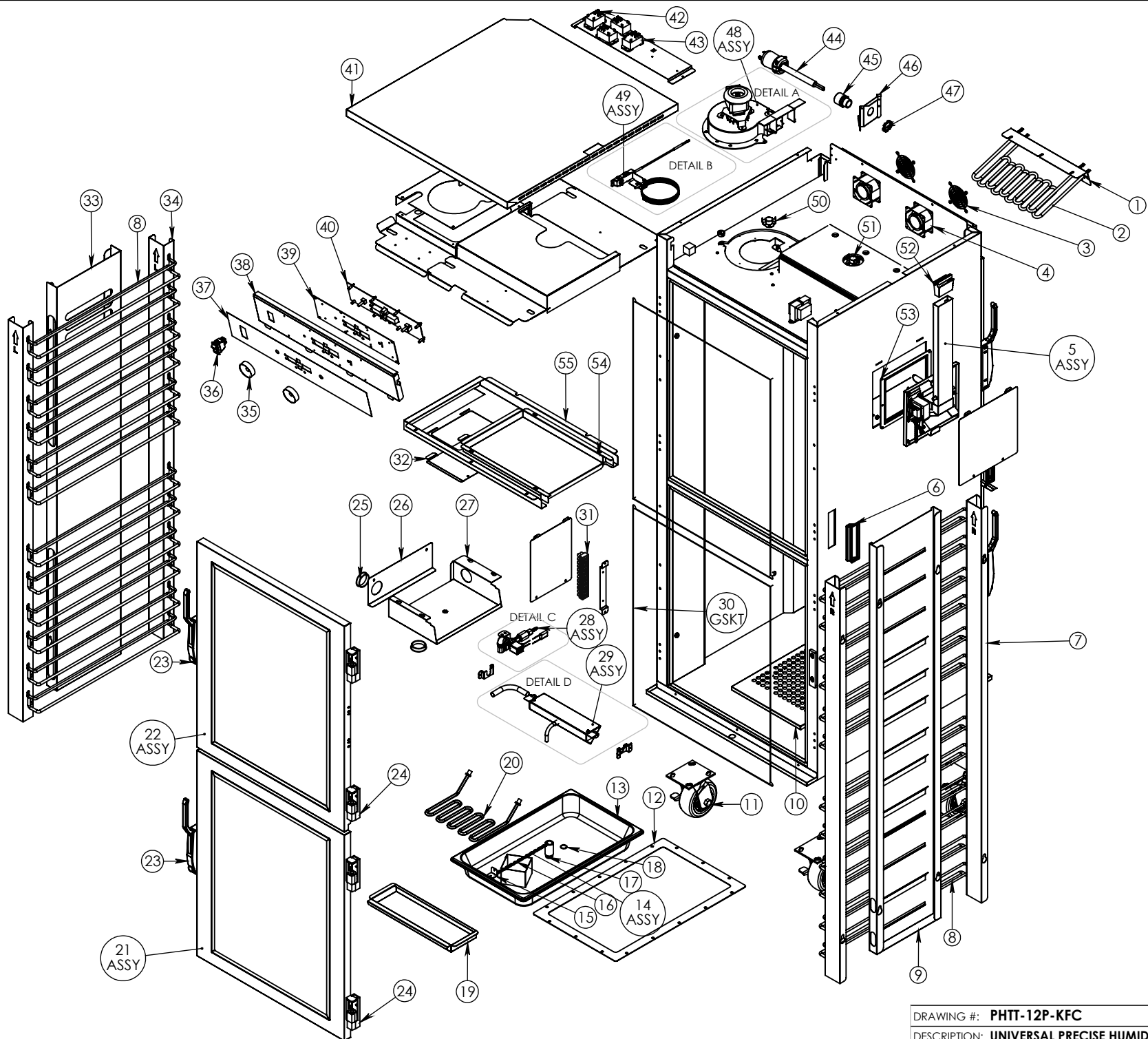


5599 Highway 31 West
Portland, TN 37148
(615)325-2774

PHTT-12P-KFC

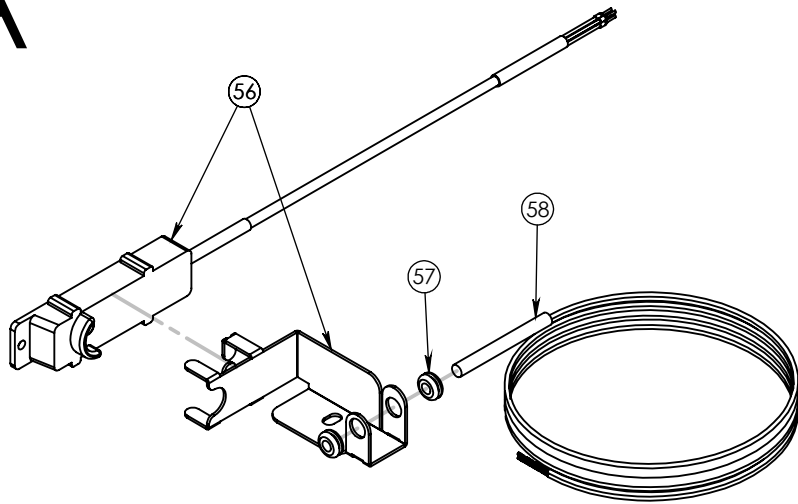
Pg.1TITLE PAGE Pg.3DETAIL PAGE
Pg.2PHTT-12P-KFC Pg.4PHTT-12P-KFC BOM



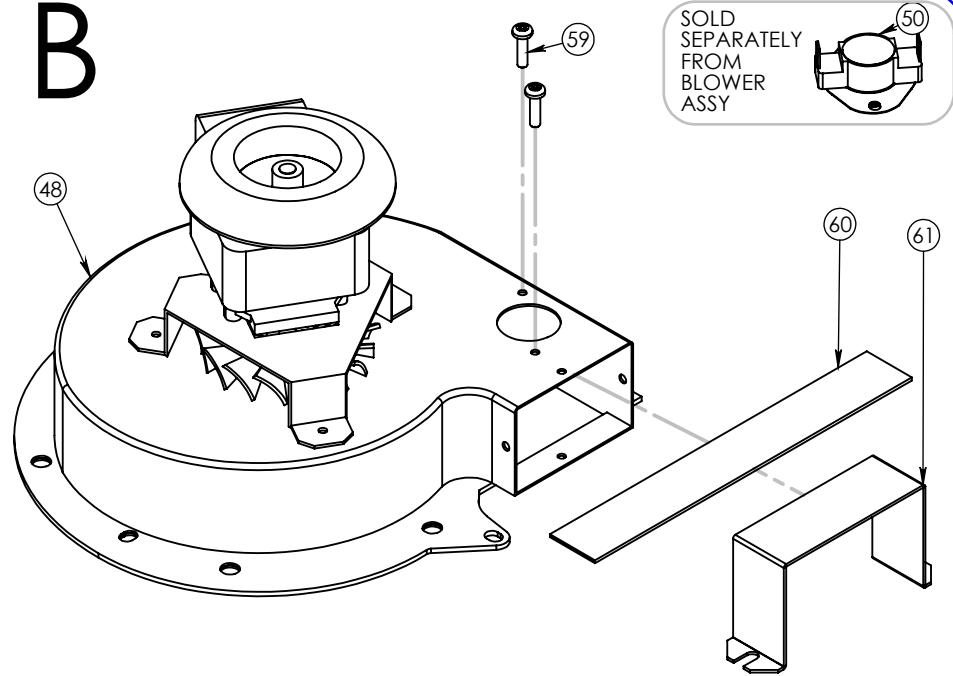


DRAWING #: **PHTT-12P-KFC**
 DESCRIPTION: **UNIVERSAL PRECISE HUMIDITY PASSTHRU**
 DRAWN BY: JR LAST SAVED BY: ashton92

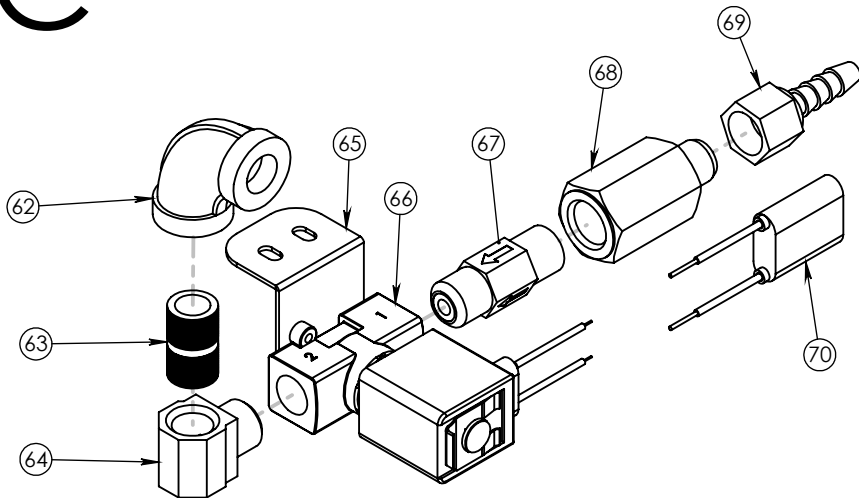
A



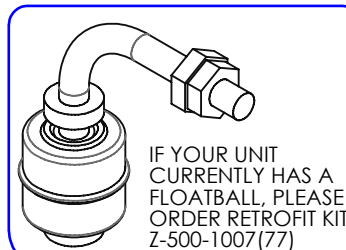
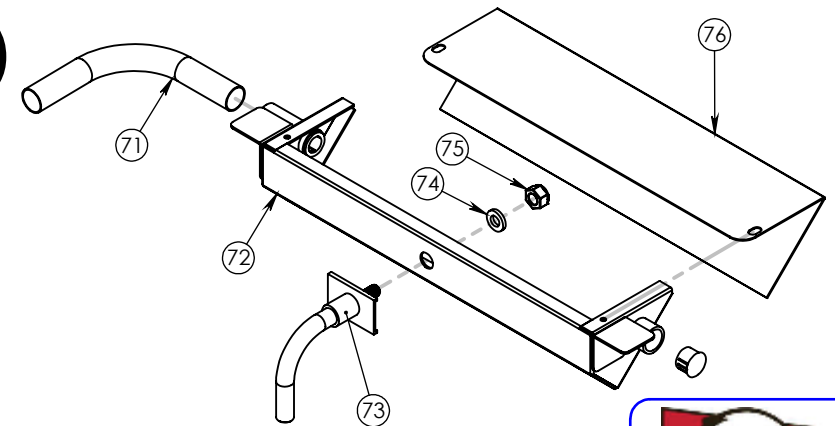
B



C



D



IF YOUR UNIT CURRENTLY HAS A FLOATBALL, PLEASE ORDER RETROFIT KIT Z-500-1007(77)



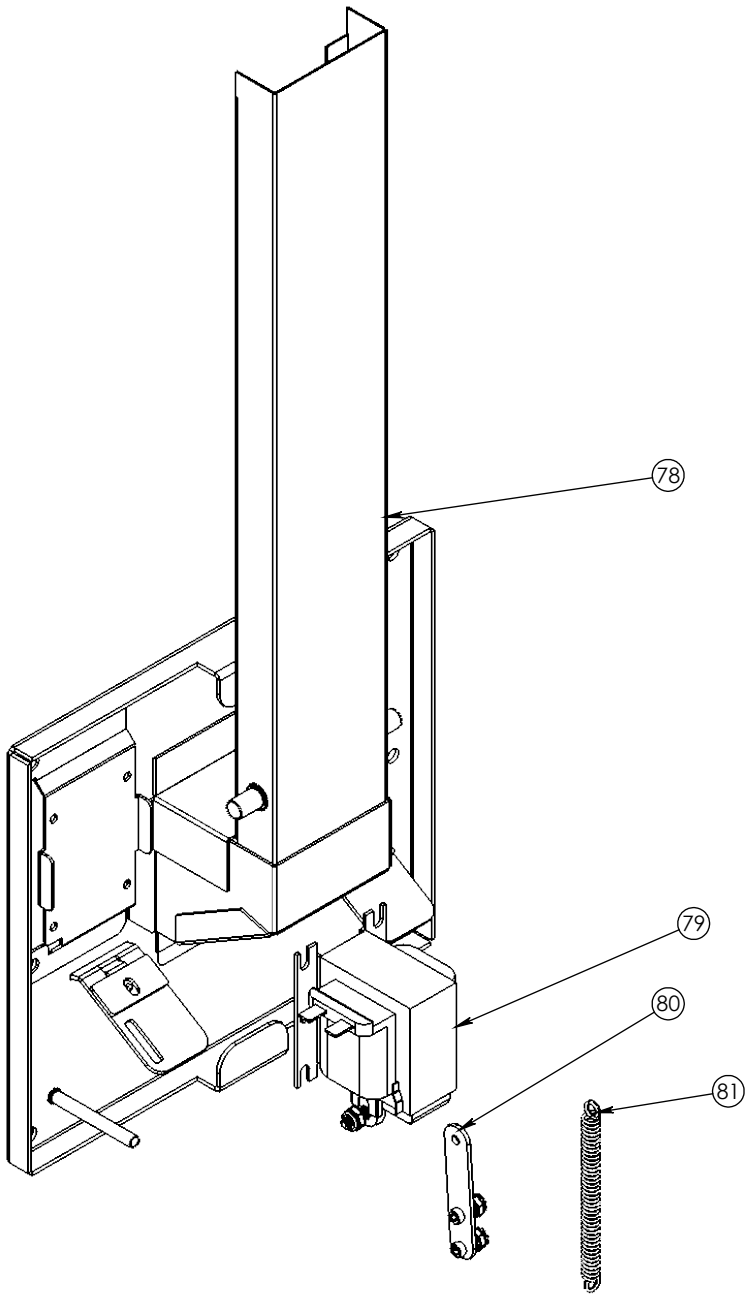
DRAWING #: **PHTT-12P-KFC**

DESCRIPTION: **UNIVERSAL PRECISE HUMIDITY PASSTHRU**

DRAWN BY: JR

LAST SAVED BY: ashton92

78	1 Z-600-3588	PHTT-12P-KFC VENT DUCT ASSY
79	1 SOLENOID-PHTT	SOLENOID-CONTIOUS DUTY
80	1 58456	PHTT-12P VENT PULL ARM
81	1 SPNG EXTEN	EXT SPRING 1.75"L .029 WIRE



DRAWING #: PHTT-12P-KFC	
DESCRIPTION: UNIVERSAL PRECISE HUMIDITY PASSTHRU	
DRAWN BY: JR	LAST SAVED BY: ashton92

ITEM NO.	QTY.	PART NO.	DESCRIPTION				
1	1	54606	DUAL ELEMENT MOUNTING PLATE	41	1	57955	PHTT-12P-KFC OUTSIDE TOP 3 POS
2	2	EL1500-120-HT SCREW LUG	ELEMENT 1500 WATT 120 VOLT	42	4	RLY 30AM P DPDT	30AMP PANEL MOUNT RELAY,2 POLE 120V
3	2	GRD FAN	FAN GUARD	43	4	RLY 30AM P DPDT-FIN	30AMP PANEL MOUNT RELAY,2 POLE 120V
4	4	FAN PHTT 115	115V FAN,80 X 80 X 38MM	44	1	CRDSET30-115 TW IST LOCK	CORD 12' 115 VOLT L5-30P 10/3
5	1	Z-800-1973 (INCLUDES 78-81)	PHTT-12P-KFC VENT SYSTEM ASSY	45	1	CRD GRIP .625X.75 -.75	CORD GRIP 5/8-IN .625 - .750 CONN
6	4	PL FLSH BLK ABS	PULL BLACK ABS 5.01	46	1	56432	PHTT-12 CORD BRKT 30 AMP
7	2	55511	PHTT-12-KFC UPRIGHT 3 FLIP DR RIGHT	47	1	CRD GRIP LOCKNUT 3-4	CORD GRIP LOCKNUT STEEL 3-4
8	24	SLD-PHTT245-SS	TRAY SLIDES PHTT245 SS ELECTRO-POLI	48	1	Z-500-1009 (INCLUDES 60-61)	BLWR-120-60 WITH SNAP DISC 150-130
9	1	59728	PHTT-12P-KFC SUPPLY TUNNEL	49	1	Z-800-2042 (INCLUDES 56-58)	PHTT SENSOR MOUNT PLATE ASSY
10	1	55389	PHTT KFC WATER PAN COVER	50	1	SNAP DISC150-130	COOL DOWN SWITCH NO F150
11	4	CSTR 52-SB-PPF	CASTER 5" SWIVEL BRAKE EZ ROLL POLY	51	1	SNAP DISC210-250	HI LIMIT SWITCH NC L250
12	1	GSKT PHTT	SILICONE SPONGE 1/16" D/C W/PSA	52	1	58049	PHTT HUMIT EVAC CHIMNEY
13	1	Z-600-2636	FULL SIZE SS PAN, 2-1/2" DEEP	53	1	59297	PHTT VENT PLATE SUPPORT
14	1	Z-600-3979 (INCLUDES 15-18)	MACHINED PPS PIPE ASSY	54	1	59727	PHTT-12P-KFC BTM HEAT COVER LARGE
15	1	55536	PHTT PIPE CLAMP BRKT	55	1	59731	PHTT-12P-KFC RETURN BLOWER BAFFLE
16	1	11119	SINGLE JACK CHAIN 8'-9" 13 LINKS	56	1	Z-600-3850	PHTT SENSOR NO T PROBE
17	1	PIPE-DRAIN (MANDATORY TO ALSO ORDER 18)	PIPE STAND 1"DIA X 2" L - PPS	57	2	GRMT-HT-3-16	SILCONE GROMMET 3/16ID X 7/16OD
18	1	O-RING-OR018	O-RING 3/4"ID X 1/16" THK SILICONE	58	1	THERMISTOR-PROBE	THERMISTOR-PROBE
19	2	56331	PHTT-KFC DRIP PAN	59	2	S8-32X10 CTS	SCRW 8-32x5/8 PH CUT 410
20	1	EL2000-120PHTT-2.5	ELEMENT 2000W 120V FOR 2.5" PAN	60	1	GSKT 1MCS	GSKT 1MCS @ 7"
21	2	Z-301-2683 (INCLUDES 23-24)	PHTT-12-KFC SC-LO/MAG GLS BTM RH-FR	61	1	59672	BAY BLOWER END SEAL CAP
22	2	Z-301-2962 (INCLUDES 23-24)	PHTT-12-KFC SC-LO/MAG GLS TOP RH-FR	62	1	ELB-90-SS-TBE-1-4	ELBOW S/S 1/4" PIPE-90 DEGREE-TBE
23	4	LTH MAG OFFSET HNDL	CHROME MAGNETIC LATCH,OFFSET HANDLE	63	1	PIPE-NIPPLE-BRS-250	BRASS PIPE NIPPLE,1/4" NPT,FULL THR
24	8	HNG-LIFT-OFF-215	HINGE LIFT-OFF SELF CLOSING 1-3/16	64	1	ELB-250-BRS	ELBOW BRASS,1/4"NPT MALE-FEMALE
25	2	PLG 1 3-4	PLUG HOLE 1-3/4" HOLE, BLK	65	1	57628	PHTT AUTO FILL MOUNTING BRKT
26	1	54955	PHTT SIDE ACCESS PANEL	66	1	VLVSLND 2-WAY PHTT 120V	2 WAY WATER SOLENOID VALVE, 120V
27	1	57543	PHTT KFC ELECTRICAL BOX COVER	67	1	FILTER-PIPE	FILTER, IN LINE PIPE STYLE 1/4" NPT
28	1	Z-600-3347 (INCLUDES 62-70)	PHTT WATER AUTO FILL ASSY	68	1	VLV BALL 250	MINI CHROME BALL VALVE 1/4" NPT
29	1	Z-800-2108 (INCLUDES 71-76)	PHTT-CONDUCTIVE PROBE HOUSING ASSY	69	1	ADPTR BRASS FEM ALE 1-4	ADAPTER 1/4 BARB X 1/4 FIP, BRASS
*30	4	GASKET (SEE BOTTOM FOR DETAILS)	SILICONE DOOR GASKET D 24.00X29.875	70	1	CNTRL SURGE SUPPRESSOR	SURGE SUPPRESSOR,TEMP CONTROLLER
*30(A)	4	GSKT MAG2531	MAG. DOOR GASKET 25.25 X 30.50	71	1	SLV-ACRYLIC-WHITE-7-16 @ 12"	SLEEVING ACRYLIC 7/16 ID WHITE FAI
*30(B)	4	GSKT-D-24X29-875	SILICONE GASKET D-24.00X29.875	72	1	Z-600-3117	PHTT ELEMENT HOUSING
31	1	TRM BLK PHTT	EURO STRIP TERM. BLOCK, 12 POSITION	73	1	COND PROBE AT	CONDUCTIVE PROBE 2.125" ANTI-TWIST
32	1	57659	PHTT BAFFLE ACCESS PLATE	74	1	W 1-4SLSS	WASHER1/4 MED.SPLIT LK SS
33	1	59655	PHTT-12-KFC RETURN TUNNEL	75	1	N1-4-20 NEUN	NUT 1/4-20SS SELF LOCKING
34	2	55510	PHTT-12-KFC UPRIGHT 3 FLIP DR LEFT	76	1	53358	PHTT-12 ELEMENT MOUNTING COVER
35	4	KNB PHTT	NOB, DIMPLE TURN	77	1	Z-500-1007 (INCLUDES PARTS 73-75)	FLOAT BALL CONVERT S1-KFC0004
36	1	SWH RCK E1	SWITCH NON-LT ON/OFF ROCKER BLK	78	1	Z-600-3588	PHTT EVAC DUCT OUTSIDE COVER
37	2	CNTRL PNL PHT	OVERLAY FOR CLYMATE IQ (PHTT)	79	1	SOLENOID-PHTT	SOLENOID-CONTIOUS DUTY
38	1	67601	PHTT-KFC CONTROL PANEL IEC	80	1	58456	PHTT-12P VENT PULL ARM
39	2	80030	CNTRL PANEL PRECISE HUMITEMP	81	1	SPNG EXTEN	EXT SPRING 1.75"L .029 WIRE
40	2	CNTRL BRD-PHTT 12	CONTROLLER FOR PHTT W/ HUMID VENT				

*UNITS WITH A SERIAL NUMBER MATCHING OR PRECEDING 144087201 WILL RECEIVE 30(A) ALL SERIAL NUMBERS PROCEEDING 144087201 WILL RECEIVE 30(B)

IF YOU ARE UNABLE TO ACQUIRE A SERIAL NUMBER PLEASE CONTACT US FOR FURTHER ASSISTANCE IN IDENTIFYING AND PURCHASING A REPLACEMENT GASKET OR ANY OTHER QUESTIONS YOU MAY HAVE.
PHONE: (800)-222-4393



DRAWING #: **PHTT-12P-KFC**

DESCRIPTION:

DRAWN BY:

LAST SAVED BY: