



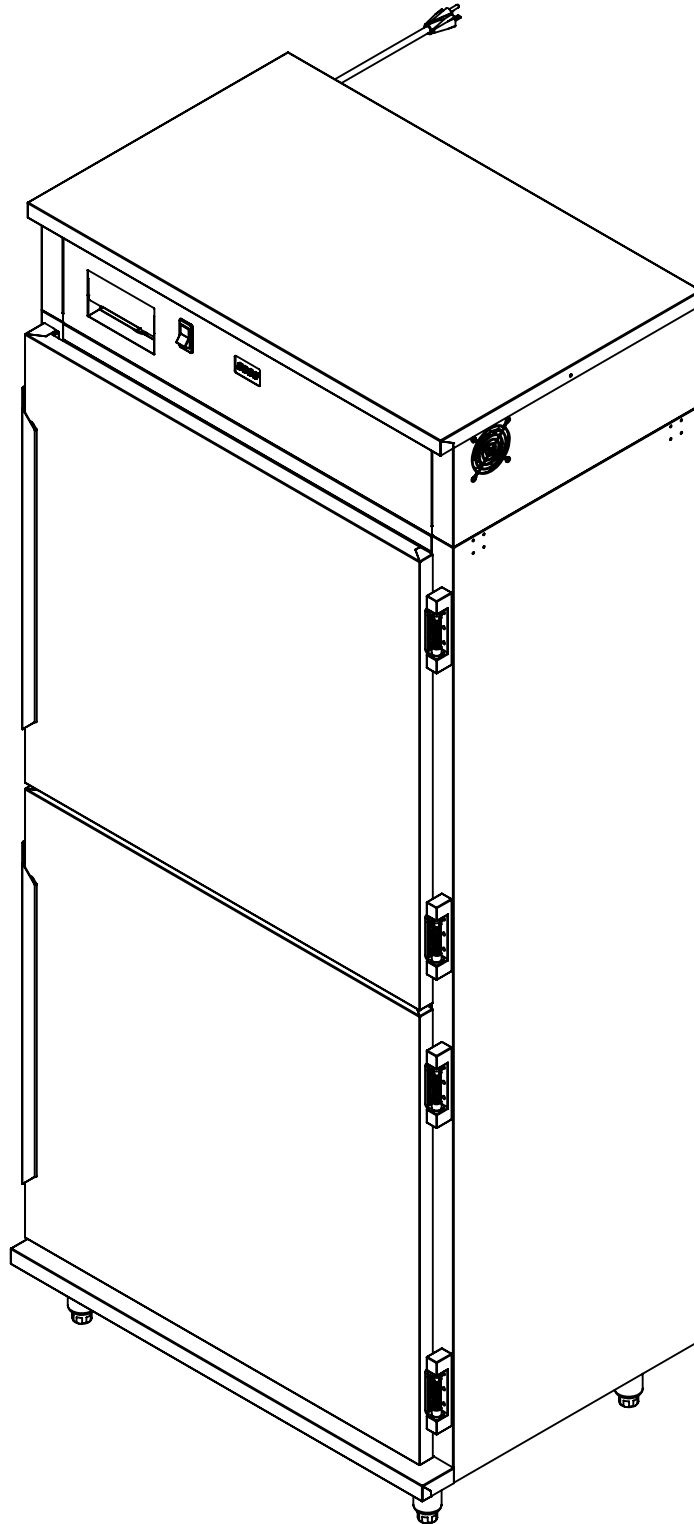
5599 Highway 31 West
Portland, TN 37148
(615)325-2774

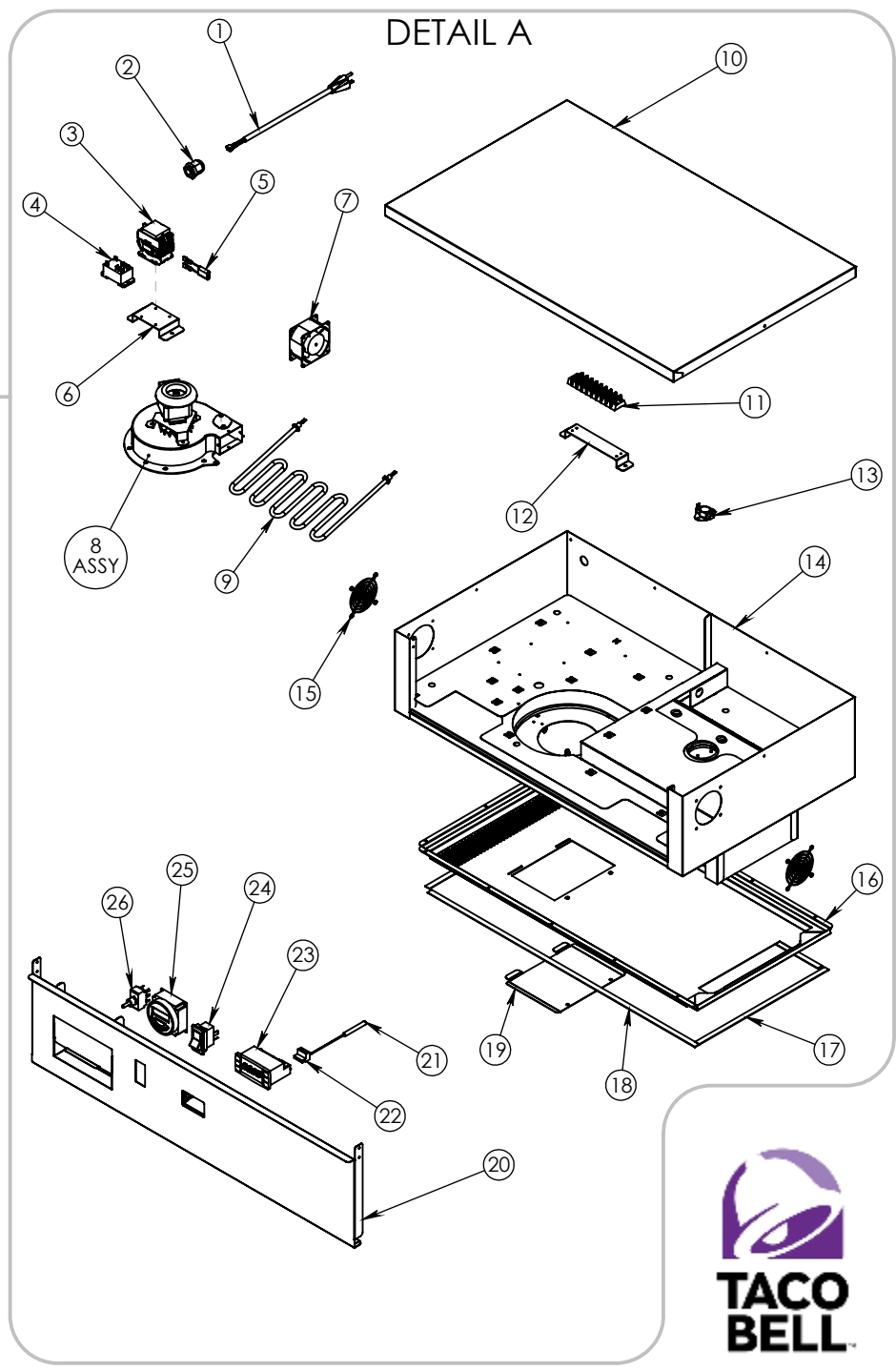
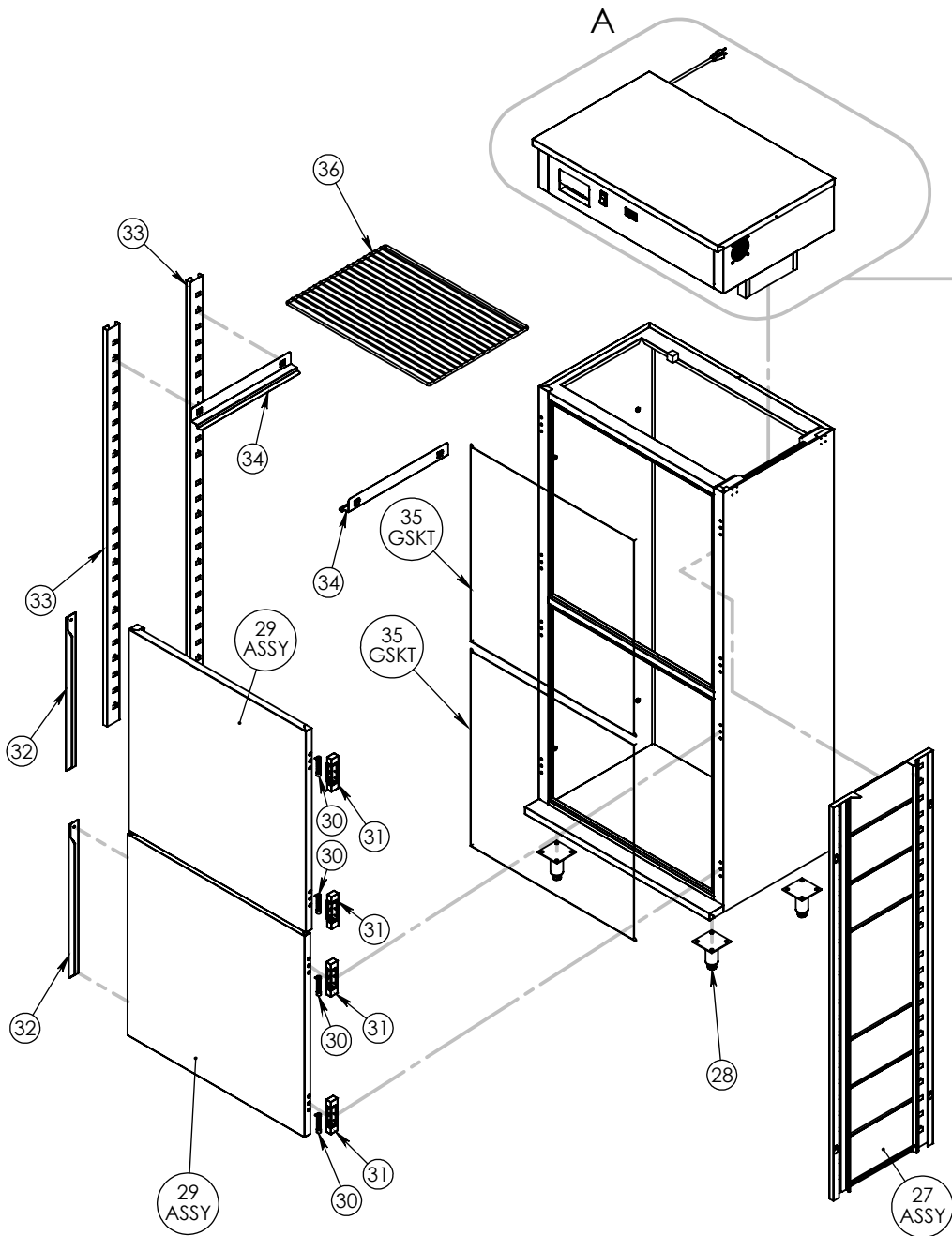
TST-19SL-TB

Pg.1Title Page

Pg.3TST-19SL-TB BOM

Pg.2TST-19SL-TB
EXPLODED





DRAWING #: TST-19SL-TB	
DESCRIPTION: TRAY SERVER TOP MOUNT BLWR	
DRAWN BY: DP	LAST SAVED BY: dplodzien

ITEM NO.	QTY.	PART NO.	DESCRIPTION
1	1	CRDSET20-115	CORD 12' 115 VOLT 5-20P 12GA 3 WIRE
2	1	STRN RELIEF LTF 13.5	STRAIN RELIEF HEYCO 3216
3	1	CONTACT-2 POLE-120V-40AMP	CONTACTOR RELAY 2-POLE 120V 40A
4	1	RLY 30AMP DPDT-FIN	30AMP PANEL MOUNT RELAY, 2 POLE 120V
5	1	CNTRL SURGE SUPPRESSOR	SURGE SUPPRESSOR, TEMP CONTROLLER
6	1	53053	CONTACTOR BRACKET
7	1	FAN PHTT 115	115V FAN, 80 X 80 X 38MM
8	1	BLWR-120-60	BLOWER ASSEMBLY 120V, 60HZ
9	1	EL2000-120-HT	ELEMENT 2000 WATT 120 VOLT 8" HT
10	1	24799	OUTSIDE TOP
11	1	TRM BLK-08	TERMINAL BLOCK -8 POLES
12	1	66889	BRKT TRM BLOCK 8 GANG
13	1	SNAP DISC 210-250	HI-LIMIT SWITCH NC
14	1	Z-800-2391	TOP HEAT MODULE US
15	2	GRD FAN	FAN GUARD
16	1	66658	BTM BLOWER BAFFLE
17	2	GSKT 1-2 FSF	GSKT 1-2 FSF @ 15
18	2	GSKT 1-2 FSF	GSKT 1-2 FSF @ 31
19	1	57659	BAFFLE ACCESS PLATE
20	1	66653	TST-19SL-TB CONTROL PANEL
21	1	CNTRL PROBE JZ	PROBE FOR DXL CONTROLLERS
22	1	TRM BLK DIXELL	TERM BLOCK FOR DXL CONTROLLER
23	1	Z-600-4497	TST-19SL-TB CNTRL PROGRAM ASSY
24	1	SWH RCK E1	SWITCH NON-LT ROCKER 125/250V 20AMP
25	1	TMR DIG	DIGITAL TIMER - 24 HR 120V-15ACE
26	1	SWH ON-NONE-ON TOGGLE	SWITCH, DPDT 3/4HP 125-250VAC
27	1	Z-600-4438	TUNNEL ASSY
28	4	Z-600-4755	LEG SS4 TIG WELD ASSY
29	2	Z-301-3708 (INCLUDES 30-32)	DOOR SC-EDG/VMWF FR
30	1	HNG 1216 SPRING KIT	SPRING KIT FOR 1216 HINGE
31	1	HNG 1216	HINGE NON-RISE ADJ 1-1/8 OFFSET
32	1	66861	DOOR SS HANDLE
33	2	66662	UPRIGHT
34	16	66663	TRAY SLIDE
35	2	GSKT-D-30-31	SILICONE DOOR GASKET D 30X31
36	8	SHLF RH-LCH	SHELF WIRE 18.188"X26"



DRAWING #: TST-19SL-TB	
DESCRIPTION: TRAY SERVER TOP MOUNT BLWR	
DRAWN BY: DP	LAST SAVED BY: dplodzien